

REV	DATE	DESCRIPTION
3	13/04/18	CONTACTOR AUX REMAINED
2	02/02/18	MCBS/CONTACTORS UPDATED
1	24/8/17	CIRCUIT BREAKERS UPDATED, LOGIC CHANGED

Wiring Colour Scheme
 Phases.....: **Black**
 Control 230V.....: **Red**
 Neutral.....: **Light Blue**
 24 VAC.....: **Violet**
 24 VAC Ground.: **White**
 24 VDC.....: **Dark Blue**
 0-10 VDC.....: **Orange**
 Analogue Inputs: **Grey**

TITLE **SCHEMATIC WIRING DIAGRAM 2 SPEED ELECTRICALLY HEATED 525 TRIPLE MODULE DOOR CURTAINS 54kW**


CLIENT **STANDARD**

DRAWN **SH**

DATE **10/05/16**

CHECKED **PP**

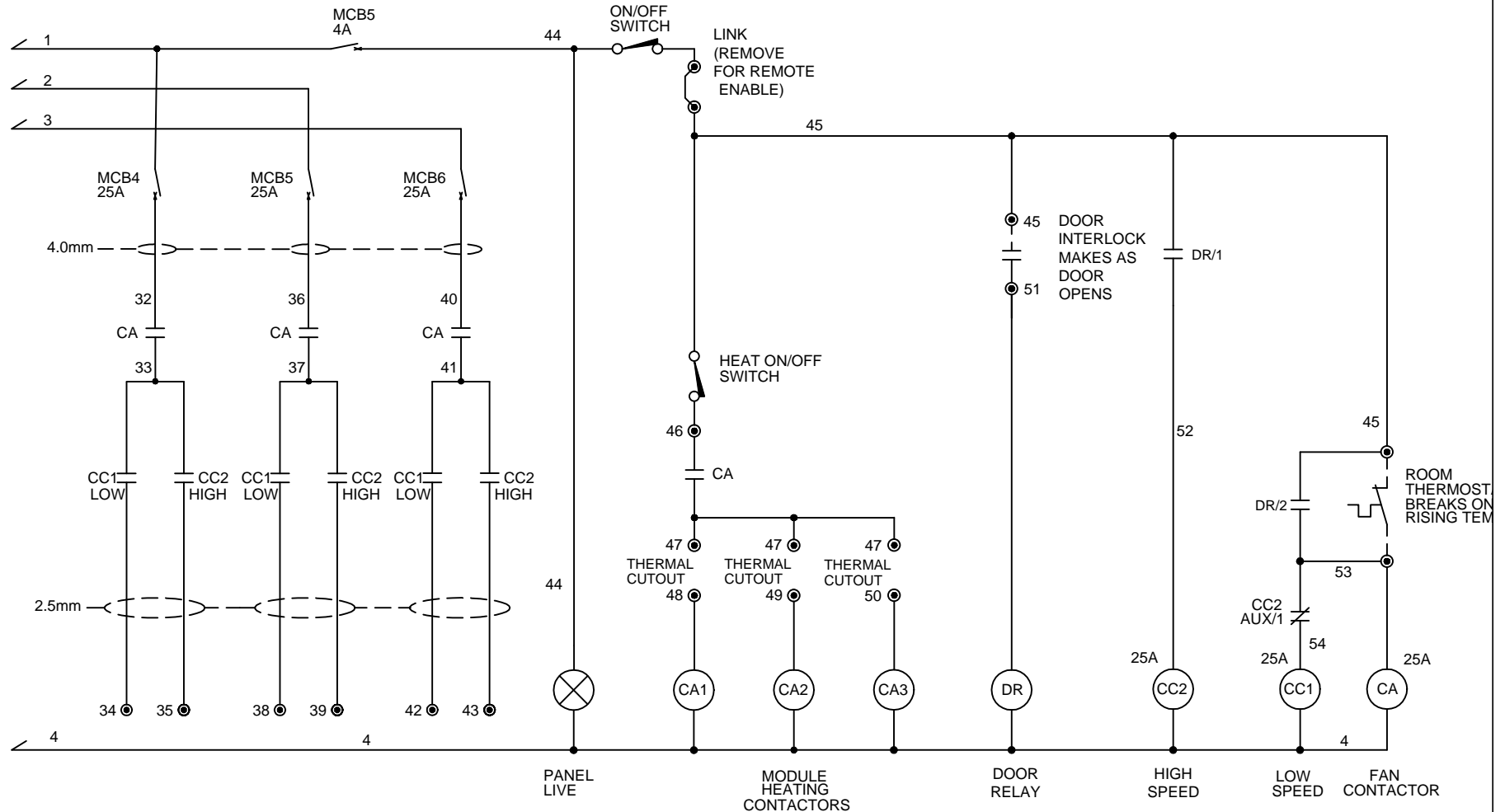
APPROVED

Ferns Pool Avenue
 Brierley Hill
 West Midlands DY5
 10A
 Tel: 01354 488 700
 Fax: 01354 488 707


JOB No

DRAWING No **CP-AB-ELEC-TRIPLE-54 R3**

REVISION **3** SHEET **1 of 3**



REV	DATE	DESCRIPTION
3	13/04/18	CONTACTOR AUX REMAINED
2	02/02/18	MCBS/CONTACTORS UPDATED
1	24/8/17	CIRCUIT BREAKERS UPDATED, LOGIC CHANGED

Wiring Colour Scheme
 Phases.....: **Black**
 Control 230V.....: **Red**
 Neutral.....: **Light Blue**
 24 VAC.....: **Violet**
 24 VAC Ground.: **White**
 0-10 VDC.....: **Dark Blue**
 Analogue Inputs: **Grey**

TITLE **SCHEMATIC WIRING DIAGRAM 2 SPEED ELECTRICALLY HEATED 525 TRIPLE MODULE DOOR CURTAINS 54kW**


CLIENT **STANDARD**

DRAWN **SH**

DATE **10/05/16**

CHECKED **PP**

APPROVED

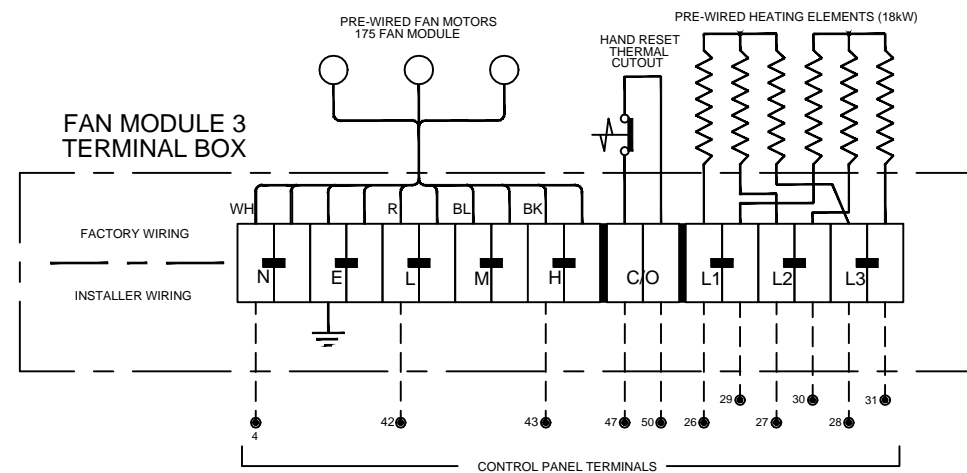
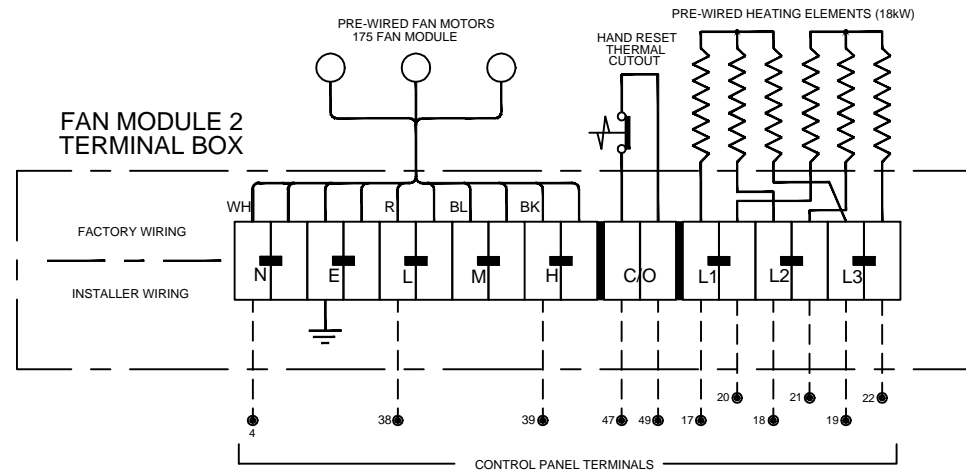
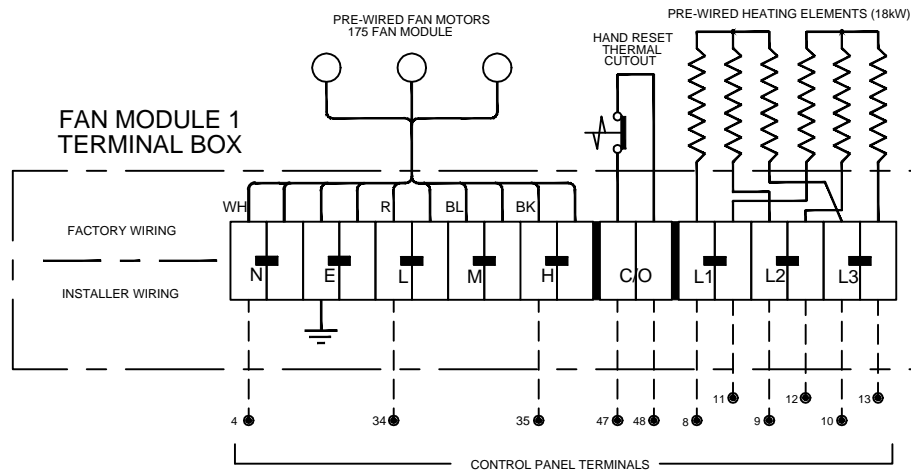

 GLOBAL HVAC

Fern Pool Avenue
 Shirley Hill
 West Midlands DY5
 12A
 Tel: 01304 488 700
 Fax: 01304 488 707

JOB No

DRAWING No **CP-AB-ELEC-TRIPLE-54 R3**

REVISION **3** SHEET **2 of 3**



AB525 ELECTRICALLY HEATED AIR CURTAIN

DOOR WIDTH	AIRBLOC MODEL	No OF MODULES		TOTAL No OF FANS	TOTAL ELEMENTS LOADING (kW)	MCB SIZE (A)
		AB175	AB225			
5.25M	AB525E	3	-	9	54	32

SINGLE MOTOR FLC 5.2A

LEGEND:
 C/O = THERMAL CUTOUT
 L = LOW SPEED
 M = MEDIUM SPEED
 H = HIGH SPEED
 L1, L2, L3 = 3 PHASE FEEDS

MOTOR LEAD COLOURS
 RED LOW SPEED
 BLUE MEDIUM SPEED
 BLACK HIGH SPEED
 WHITE NEUTRAL

REV	DATE	DESCRIPTION
3	13/04/18	CONTACTOR AUX REMAINED
2	02/02/18	MCBS/CONTACTORS UPDATED
1	24/8/17	CIRCUIT BREAKERS UPDATED, LOGIC CHANGED

Wiring Colour Scheme
 Phases.....: **Black**
 Control 230V.....: **Red**
 Neutral.....: **Light Blue**
 24 VAC.....: **Violet**
 24 VAC Ground.: **White**
 24 VDC.....: **Dark Blue**
 0-10 VDC.....: **Orange**
 Analogue Inputs: **Grey**

TITLE **SCHEMATIC WIRING DIAGRAM 2 SPEED ELECTRICALLY HEATED 525 TRIPLE MODULE DOOR CURTAINS 54kW**

CLIENT **STANDARD**

DRAWN **SH**

DATE **10/05/16**

CHECKED **PP**

APPROVED

Fans Pool Avenue
 Brierley Hill
 West Midlands DY5
 10A
 Tel: 01356 489 700
 Fax: 01356 489 707

JOB No

DRAWING No **CP-AB-ELEC-TRIPLE-54 R3**

REVISION **3** SHEET **3 of 3**