

Wiring Colour Scheme
Phases.....: Black
Control 230V.....: Red
Neutral.....: Light Blue
24 VAC.....: Violet
24 VAC Ground.: White
24 VDC.....: Dark Blue
0-10 VDC.....: Orange
Analogue Inputs: Grey

TITLE	SCHEMATIC WIRING DIAGRAM FOR GAS FIRED SINGLE MODULE DOOR CURTAINS 230v 1PH+N SUPPLY	
	CLIENT	STANDARD

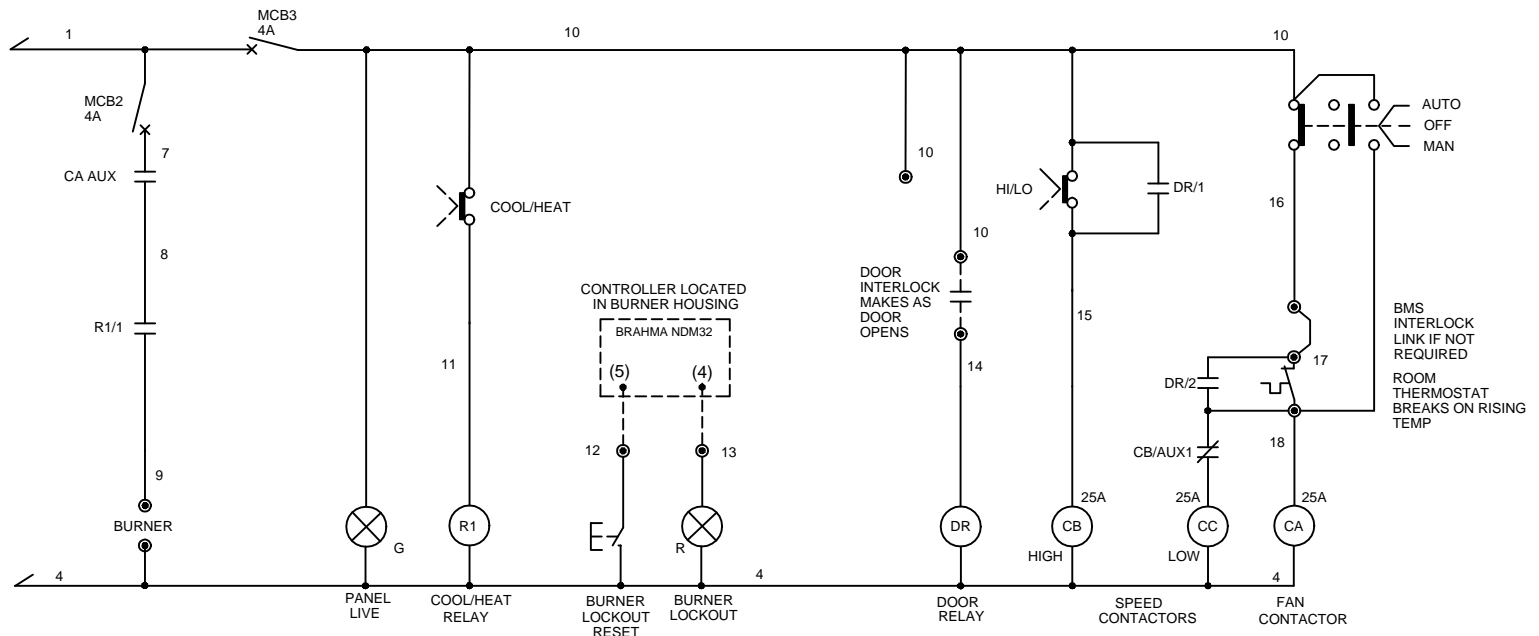
DRAWN	PP
DATE	01/02/2018
CHECKED	PM
APPROVED	

REV	DATE	DESCRIPTION

Fans Pool Avenue
 Blandy Hill
 West Midlands DY5 1GA
 Tel: 01364 489 700
 Fax: 01364 489 707

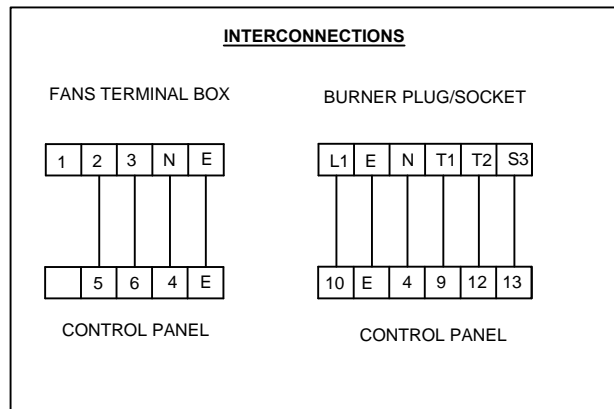
NORTEK
GLOBAL HVAC

JOB No	
DRAWING No	CP-AB-GAS-2-SINGLE
REVISION	SHEET 1 of 2



MODEL	No. OF FANS PER CURTAIN	TOTAL MOTOR CURRENT
AB 175	3	15.6A
AB 225	4	20.8A

NOTE:
FIELD WIRE MOTOR SPEEDS AS FOLLOWS
2= LOW SPEED
3=HIGH SPEED



	REV	DATE	DESCRIPTION
Wiring Colour Scheme Phases.....: Black Control 230V.....: Red Neutral.....: Light Blue 24 VAC.....: Violet 24 VAC Ground.: White 24 VDC.....: Dark Blue 0-10 VDC.....: Orange Analogue Inputs: Grey	TITLE SCHEMATIC WIRING DIAGRAM FOR GAS FIRED SINGLE MODULE DOOR CURTAINS 230v 1PH+N SUPPLY		DRAWN PP
	CLIENT STANDARD		DATE 01/02/2018
			CHECKED PM
			APPROVED
			JOB No DRAWING No CP-AB-GAS-2-SINGLE SHEET 2 of 2

Fans Pool Avenue
Brisbane HQ
Warr Moolambah Drive 10A
Tel: 01384 489 700
Fax: 01384 489 707

