

2	02/02/18	MCBS/CONTACTORS UPDATED
1	22/12/15	MAIN ISOLATOR SWITCHED NEUTRAL
REV	DATE	DESCRIPTION

Wiring Colour Scheme
 Phases.....: **Black**
 Control 230V.....: **Red**
 Neutral.....: **Light Blue**
 24 VAC.....: **Violet**
 24 VAC Ground.: **White**
 24 VDC.....: **Dark Blue**
 0-10 VDC.....: **Orange**
 Analogue Inputs: **Grey**

TITLE SCHEMATIC WIRING DIAGRAM 2 SPEED
 ELECTRICALLY HEATED SINGLE MODULE
 DOOR CURTAINS 18kW

CLIENT
 STANDARD

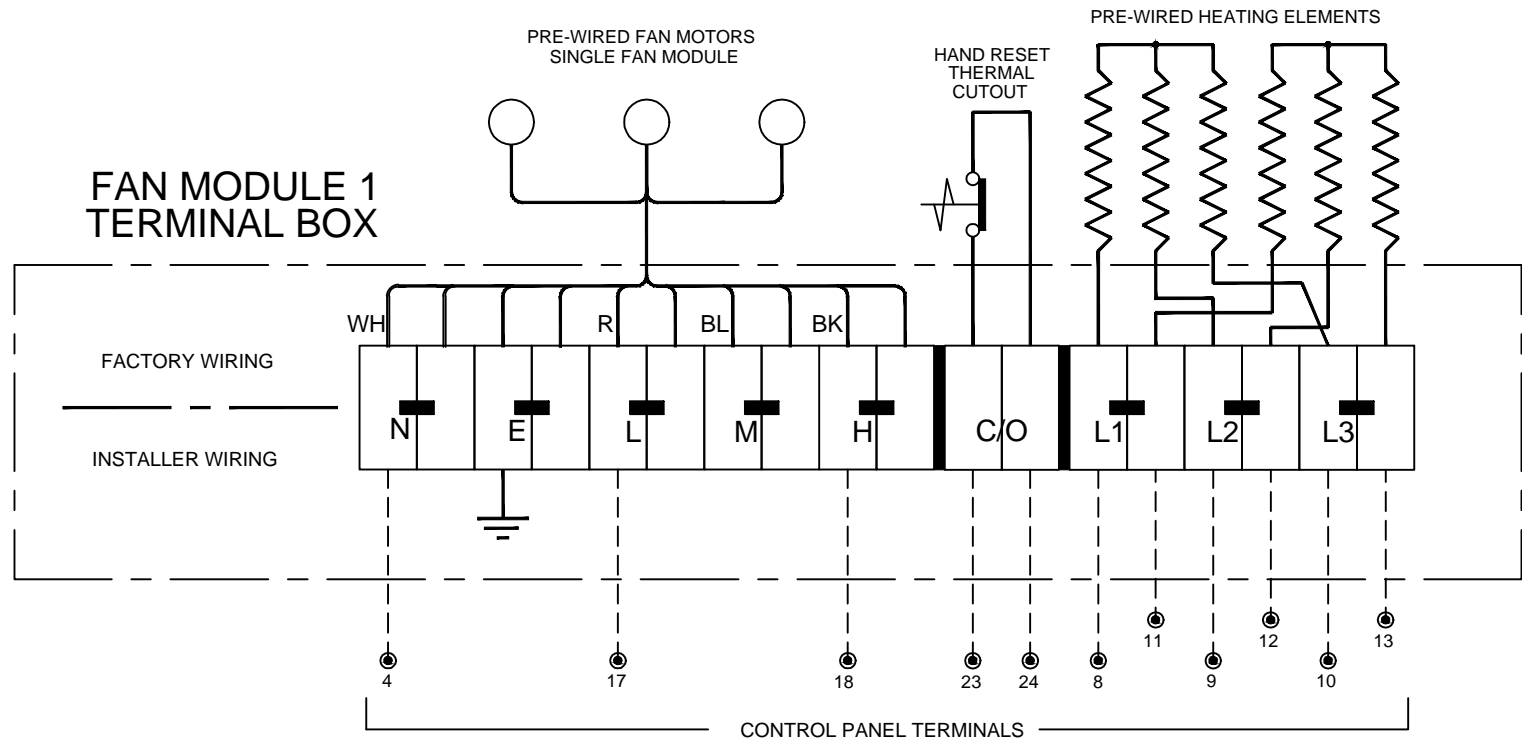
DRAWN	SH
DATE	13/03/14
CHECKED	JC
APPROVED	

Fans Pool Avenue
 Brierley Hill
 West Midlands DY5
 10A
 Tel: 01384 488 700
 Fax: 01384 488 707

JOB No

DRAWING No CP-AB-ELEC-SINGLE-18 R2

REVISION 2 SHEET 1 of 2



AB175 ELECTRICALLY HEATED AIR CURTAIN

DOOR WIDTH	AIRBLOC MODEL	No OF MODULES	TOTAL No OF FANS	TOTAL ELEMENTS LOADING (kW)	MCB1 SIZE (A)
		AB175			
1.75M	AB175E	1	3	18 (2 x 9)	32

SITE SELECT FAN SPEED BETWEEN HIGH & LOW, HIGH & MEDIUM, OR MEDIUM & LOW BY CONNECTING THE APPROPRIATE FEED TO THE CORRESPONDING AIR CURTAIN TERMINAL

SINGLE MOTOR FLC 5.2A

LEGEND:
 C/O = THERMAL CUTOUT
 L = LOW SPEED
 M = MEDIUM SPEED
 H = HIGH SPEED
 L1, L2, L3 = 3 PHASE FEEDS

MOTOR LEAD COLOURS
 RED LOW SPEED
 BLUE MEDIUM SPEED
 BLACK HIGH SPEED
 WHITE NEUTRAL

2	02/02/18	MCBS/CONTACTORS UPRATED
1	22/12/15	MAIN ISOLATOR SWITCHED NEUTRAL
REV	DATE	DESCRIPTION

Wiring Colour Scheme
 Phases.....: **Black**
 Control 230V.....: **Red**
 Neutral.....: **Light Blue**
 24 VAC.....: **Violet**
 24 VAC Ground.: **White**
 24 VDC.....: **Dark Blue**
 0-10 VDC.....: **Orange**
 Analogue Inputs: **Grey**

TITLE SCHEMATIC WIRING DIAGRAM 2 SPEED ELECTRICALLY HEATED SINGLE MODULE DOOR CURTAINS 18kW
 CLIENT STANDARD

DRAWN	SH
DATE	13/03/14
CHECKED	JC
APPROVED	

<small>Fans Pool Avenue Brierley Hill West Midlands DY5 10A Tel: 01384 489 700 Fax: 01384 489 707</small>		
JOB No		
DRAWING No CP-AB-ELEC-SINGLE-18 R2		
REVISION 2	SHEET 2 of 2	