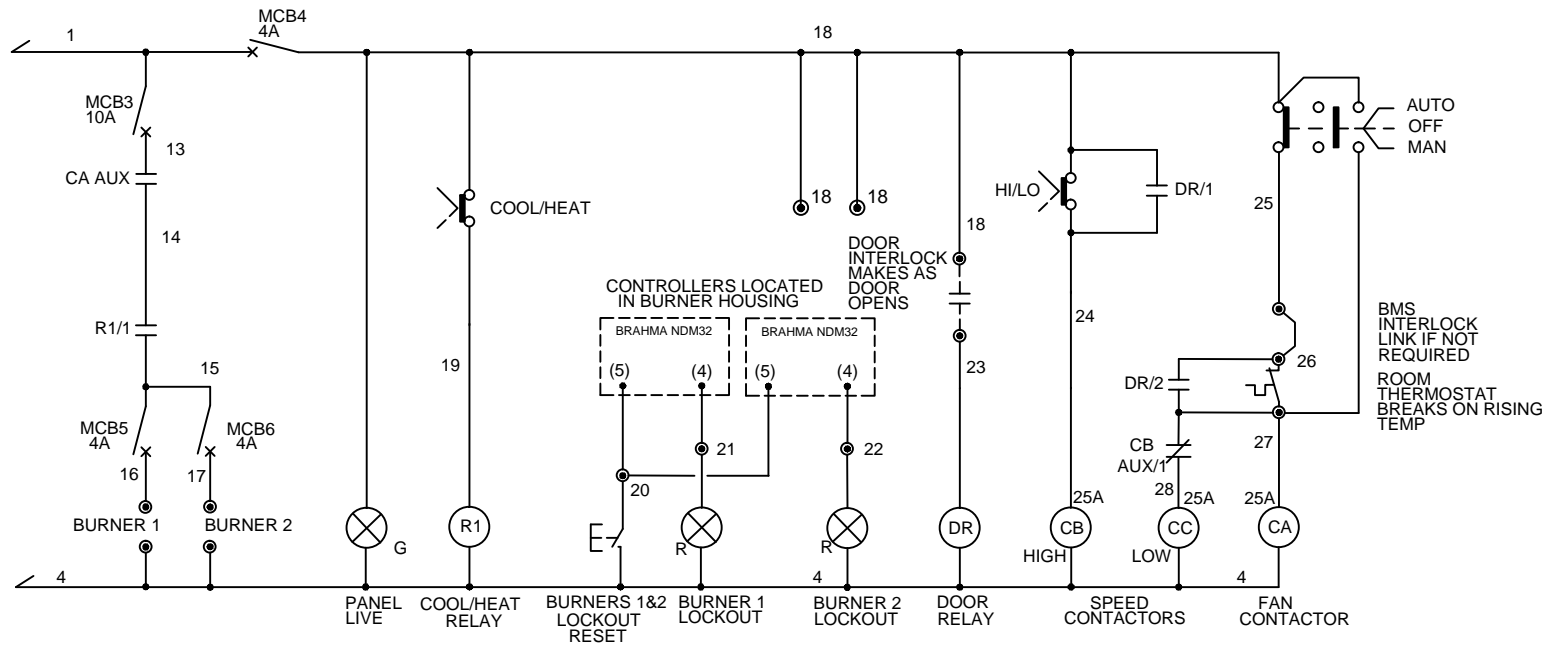


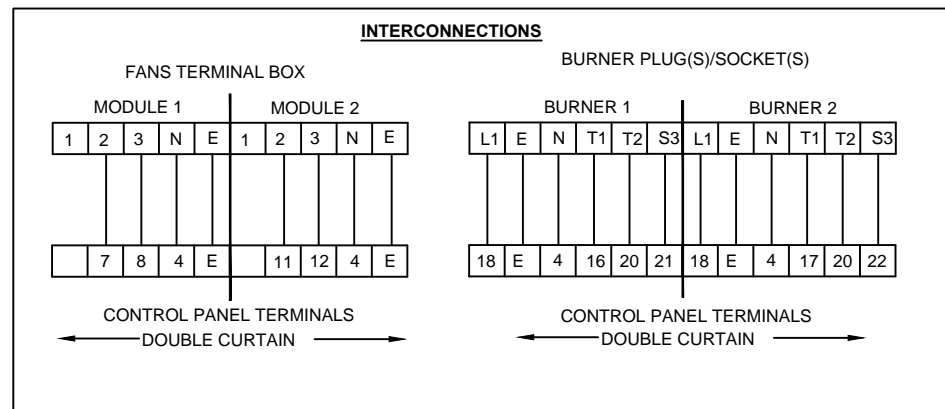
		REV	DATE	DESCRIPTION
<b>Wiring Colour Scheme</b> Phases.....: Black Control 230V.....: Red Neutral.....: Light Blue 24 VAC.....: Violet 24 VAC Ground.: White 24 VDC.....: Dark Blue 0-10 VDC.....: Orange Analogue Inputs: Grey	<b>TITLE</b> SCHEMATIC WIRING DIAGRAM FOR GAS FIRED TWIN MODULE DOOR CURTAINS 415v 3PH+N SUPPLY	<b>DRAWN</b> PP	<small>Fans Pool Avenue            Glenroy VIC            Unit 10/11            3047            Tel: 01384 488 700            Fax: 01384 488 707</small>	
		<b>DATE</b> 01/02/2018	<b>JOB No</b>	
	<b>CLIENT</b> STANDARD	<b>CHECKED</b> PM	<b>DRAWING No</b> CP-AB-GAS-2-TWIN	
		<b>APPROVED</b>	<b>REVISION</b>	<b>SHEET</b> 1 of 2



MODEL	No. OF FANS PER CURTAIN	TOTAL MOTOR CURRENT
AB 350	6	31.2A
AB 400	7	36.4A
AB 450	8	41.6A

NOTE:  
FIELD WIRE MOTOR SPEEDS AS FOLLOWS

2= LOW SPEED  
3=HIGH SPEED



Wiring Colour Scheme Phases.....: Black Control 230V.....: Red Neutral.....: Light Blue 24 VAC.....: Violet 24 VAC Ground.: White 24 VDC.....: Dark Blue 0-10 VDC.....: Orange Analogue Inputs: Grey	TITLE	DRAWN	PP	REV	DATE	DESCRIPTION
	SCHEMATIC WIRING DIAGRAM FOR GAS FIRED TWIN MODULE DOOR CURTAINS 415v 3PH+N SUPPLY	PP	01/02/2018	JOB No	1	01/02/2018
CLIENT	STANDARD	CHECKED	PM	2		DRAWING No CP-AB-GAS-2-TWIN
		APPROVED		REVISION		SHEET 2 of 2

Fans Pool Avenue  
Stirling G10  
West Midlands DY15  
10A  
Tel: 01284 489 700  
Fax: 01284 489 707

**NORTEK**  
GLOBAL HVAC