

2	02/02/18	MCBS/CONTACTORS UPDATED
1	22/12/15	MAIN ISOLATOR SWITCHED NEUTRAL
REV	DATE	DESCRIPTION

**Wiring Colour Scheme**  
 Phases.....: **Black**  
 Control 230V.....: **Red**  
 Neutral.....: **Light Blue**  
 24 VAC.....: **Violet**  
 24 VAC Ground.: **White**  
 24 VDC.....: **Dark Blue**  
 0-10 VDC.....: **Orange**  
 Analogue Inputs: **Grey**

TITLE **SCHEMATIC WIRING DIAGRAM 2 SPEED ELECTRICALLY HEATED 575 TRIPLE MODULE DOOR CURTAINS 60kW**


CLIENT **STANDARD**

DRAWN **SH**

DATE **23/11/15**

CHECKED **PP**

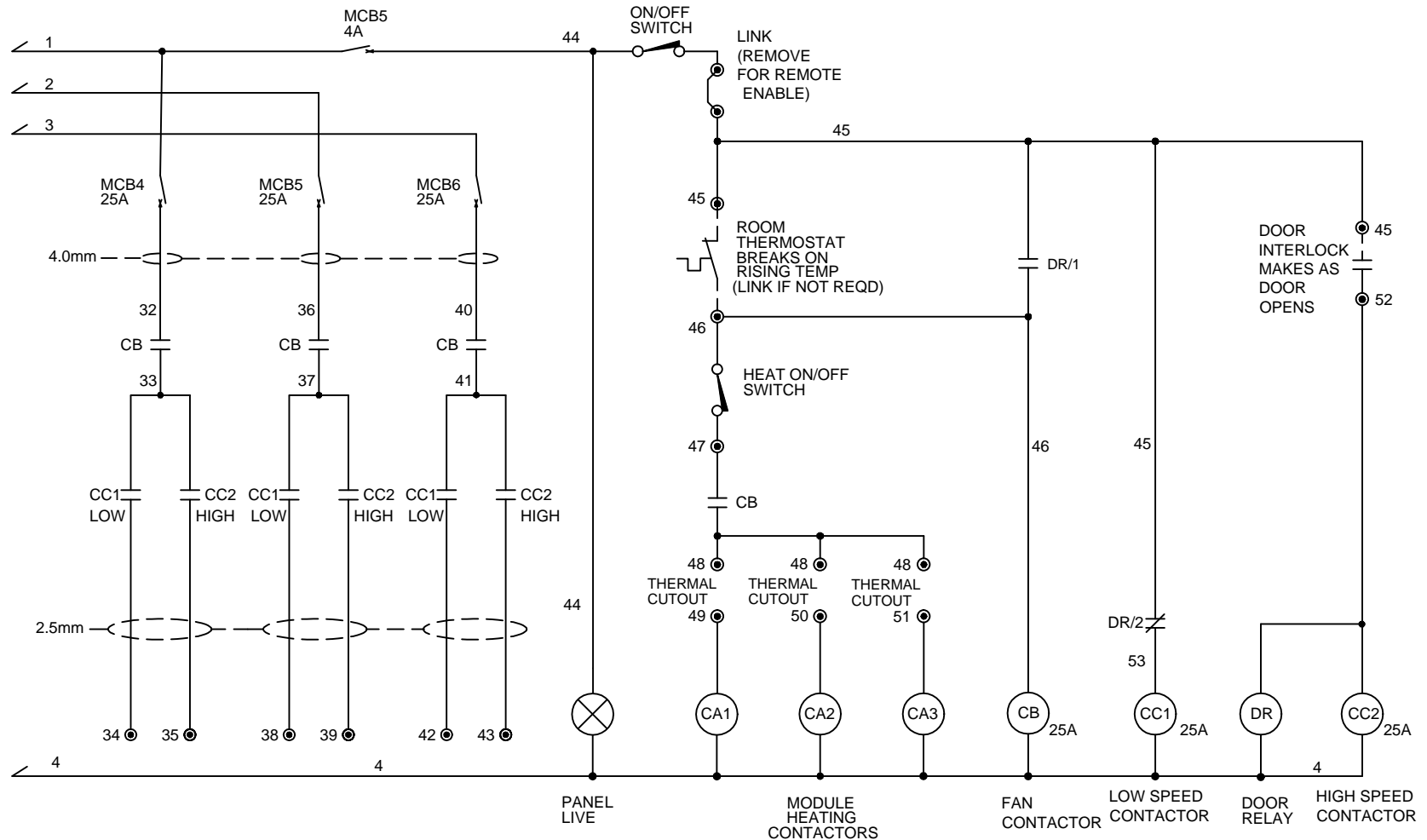
APPROVED

Ferns Pool Avenue  
 Brierley Hill  
 West Midlands DY5  
 12A  
 Tel: 01384 489 700  
 Fax: 01384 489 707


JOB No

DRAWING No **CP-AB-ELEC-TRIPLE-60 R2**

REVISION **2** SHEET **1 of 3**



2	02/02/18	MCBS/CONTACTORS UPDATED
1	22/12/15	MAIN ISOLATOR SWITCHED NEUTRAL
REV	DATE	DESCRIPTION

**Wiring Colour Scheme**  
 Phases.....: **Black**  
 Control 230V.....: **Red**  
 Neutral.....: **Light Blue**  
 24 VAC.....: **Violet**  
 24 VAC Ground.: **White**  
 0-10 VDC.....: **Dark Blue**  
 Analogue Inputs: **Grey**

TITLE **SCHEMATIC WIRING DIAGRAM 2 SPEED ELECTRICALLY HEATED 575 TRIPLE MODULE DOOR CURTAINS 60kW**

CLIENT **STANDARD**

DRAWN **SH**

DATE **23/11/15**

CHECKED **PP**

APPROVED

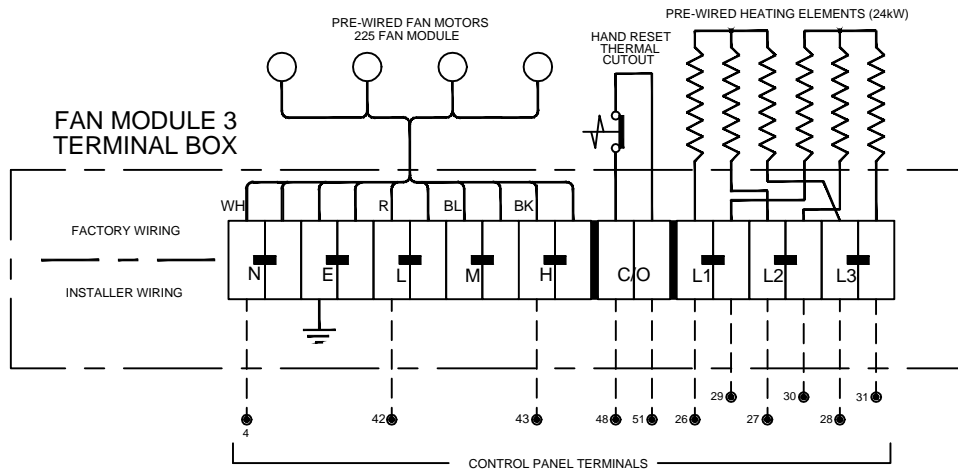
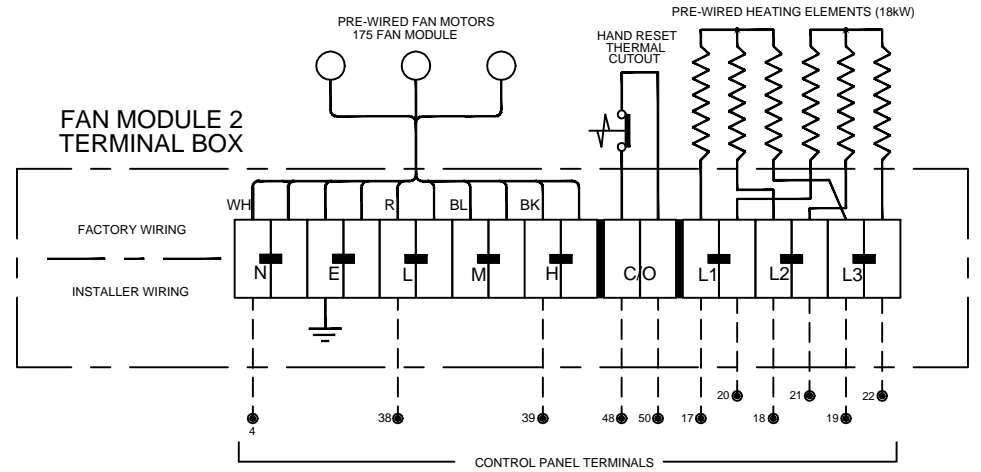
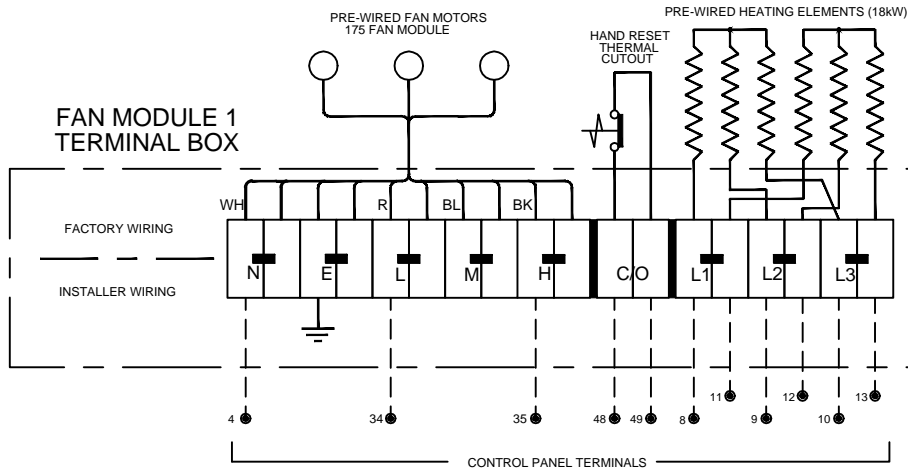
**NORTEK**  
 GLOBAL HVAC

Job No

DRAWING No **CP-AB-ELEC-TRIPLE-60 R2**

REVISION 2 SHEET 2 of 3

Fans Pool Avenue  
 Brierley Hill  
 West Midlands DY5  
 10A  
 Tel: 01384 489 700  
 Fax: 01384 489 707



AB575 ELECTRICALLY HEATED AIR CURTAIN

DOOR WIDTH	AIRBLOC MODEL	No OF MODULES		TOTAL No OF FANS	TOTAL ELEMENTS LOADING (kW)	MCB1/2 SIZE (A)	MCB3 SIZE (A)
		AB175	AB225				
5.75M	AB575E	2	1	10	60	32	40

SINGLE MOTOR FLC 5.2A

LEGEND:  
 C/O = THERMAL CUTOUT  
 L = LOW SPEED  
 M = MEDIUM SPEED  
 H = HIGH SPEED  
 L1, L2, L3 = 3 PHASE FEEDS

MOTOR LEAD COLOURS  
 RED = LOW SPEED  
 BLUE = MEDIUM SPEED  
 BLACK = HIGH SPEED  
 WHITE = NEUTRAL

REV	DATE	DESCRIPTION
2	02/02/18	MCBS/CONTACTORS UPDATED
1	22/12/15	MAIN ISOLATOR SWITCHED NEUTRAL

**Wiring Colour Scheme**  
 Phases.....: **Black**  
 Control 230V.....: **Red**  
 Neutral.....: **Light Blue**  
 24 VAC.....: **Violet**  
 24 VAC Ground.: **White**  
 24 VDC.....: **Dark Blue**  
 0-10 VDC.....: **Orange**  
 Analogue Inputs: **Grey**

TITLE **SCHEMATIC WIRING DIAGRAM 2 SPEED ELECTRICALLY HEATED 575 TRIPLE MODULE DOOR CURTAINS 60kW**

CLIENT **STANDARD**

DRAWN **SH**

DATE **23/11/15**

CHECKED **PP**

APPROVED

  
 Fans Pool Avenue  
 Brierley Hill  
 West Midlands DY5  
 10A  
 Tel: 01384 486 700  
 Fax: 01384 486 707

JOB No

DRAWING No **CP-AB-ELEC-TRIPLE-60 R2**

REVISION **2** SHEET **3 of 3**