

2	9/11/17	MCBS/CONTACTORS UPDATED
1	22/12/15	MAIN ISOLATOR SWITCHED NEUTRAL
REV	DATE	DESCRIPTION

Wiring Colour Scheme
 Phases.....: **Black**
 Control 230V.....: **Red**
 Neutral.....: **Light Blue**
 24 VAC.....: **Violet**
 24 VAC Ground.: **White**
 24 VDC.....: **Dark Blue**
 0-10 VDC.....: **Orange**
 Analogue Inputs: **Grey**

TITLE **SCHEMATIC WIRING DIAGRAM 2 SPEED ELECTRICALLY HEATED TWIN MODULE DOOR CURTAINS 42kW**

CLIENT **STANDARD**

DRAWN **SH**

DATE **14/03/14**

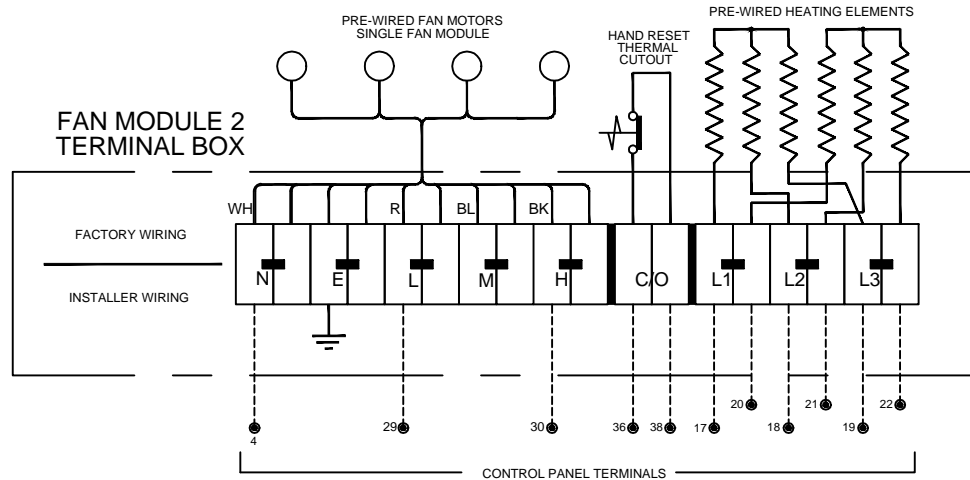
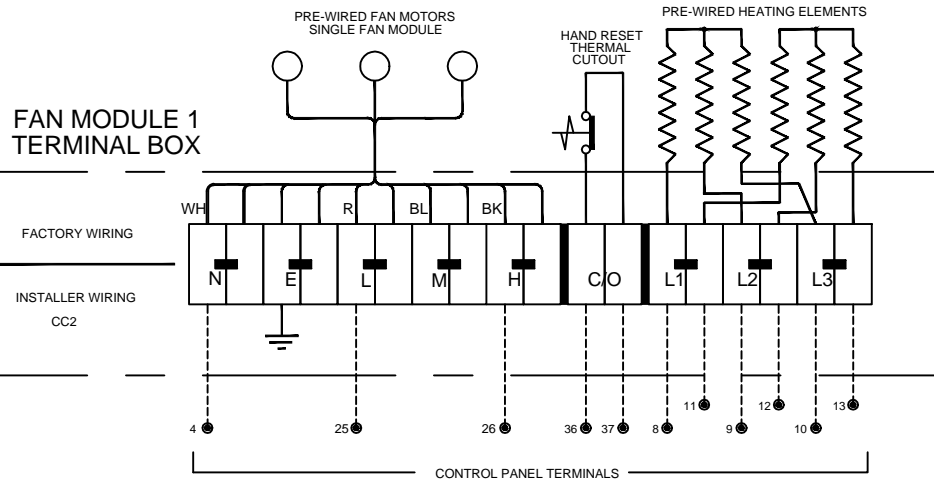
CHECKED **JC**

APPROVED

Farns Pool Avenue
 Dringby Hill
 West Midlands DY5
 124
 Tel: 01354 488 700
 Fax: 01354 488 707

DRAWING No **CP-AB-ELEC-TWIN-42 R2**

REVISION 2 SHEET 1 of 2



AB400 ELECTRICALLY HEATED AIR CURTAIN

DOOR WIDTH	AIRBLOC MODEL	No OF MODULES		TOTAL No OF FANS	TOTAL ELEMENTS LOADING (kW)	MCB1/2 SIZE (A)
		AB175	AB225			
4.0M	AB400E	1	1	7	42 (2 x 9 + 2 x 12)	32/40

SITE SELECT FAN SPEED BETWEEN HIGH & LOW, HIGH & MEDIUM, OR MEDIUM & LOW BY CONNECTING THE APPROPRIATE FEED TO THE CORRESPONDING AIR CURTAIN TERMINAL

SINGLE MOTOR FLC 5.2A

LEGEND:
 C/O = THERMAL CUTOUT
 L = LOW SPEED
 M = MEDIUM SPEED
 H = HIGH SPEED
 L1, L2, L3 = 3 PHASE FEEDS

MOTOR LEAD COLOURS
 RED LOW SPEED
 BLUE MEDIUM SPEED
 BLACK HIGH SPEED
 WHITE NEUTRAL

REV	DATE	DESCRIPTION
2	9/11/17	MCBS/CONTACTORS UPGRATED
1	22/12/15	MAIN ISOLATOR SWITCHED NEUTRAL

Wiring Colour Scheme
 Phases.....: **Black**
 Control 230V.....: **Red**
 Neutral.....: **Light Blue**
 24 VAC.....: **Violet**
 24 VAC Ground.: **White**
 24 VDC.....: **Dark Blue**
 0-10 VDC.....: **Orange**
 Analogue Inputs: **Grey**

TITLE SCHEMATIC WIRING DIAGRAM 2 SPEED ELECTRICALLY HEATED TWIN MODULE DOOR CURTAINS 42kW

CLIENT STANDARD

DRAWN

SH

DATE

14/03/14

CHECKED

JC

APPROVED

Fans Pool Avenue
 Sydney NSW
 Unit 10/11A D15
 10A
 Tel: 01284 489 700
 Fax: 01284 489 707

NORTEK
 GLOBAL HVAC

DRAWING No CP-AB-ELEC-TWIN-42 R2

REVISION 2

SHEET

2 of 2