

Wiring Colour Scheme
 Phases.....: Black
 Control 230V.....: Red
 Neutral.....: Light Blue
 24 VAC.....: Violet
 24 VAC Ground.: White
 24 VDC.....: Dark Blue
 0-10 VDC.....: Orange
 Analogue Inputs: Grey

TITLE SCHEMATIC WIRING DIAGRAM FOR GAS
 FIRED TRIPLE MODULE DOOR CURTAINS
 415v 3PH+N SUPPLY

CLIENT
 STANDARD

DRAWN

PP


DATE

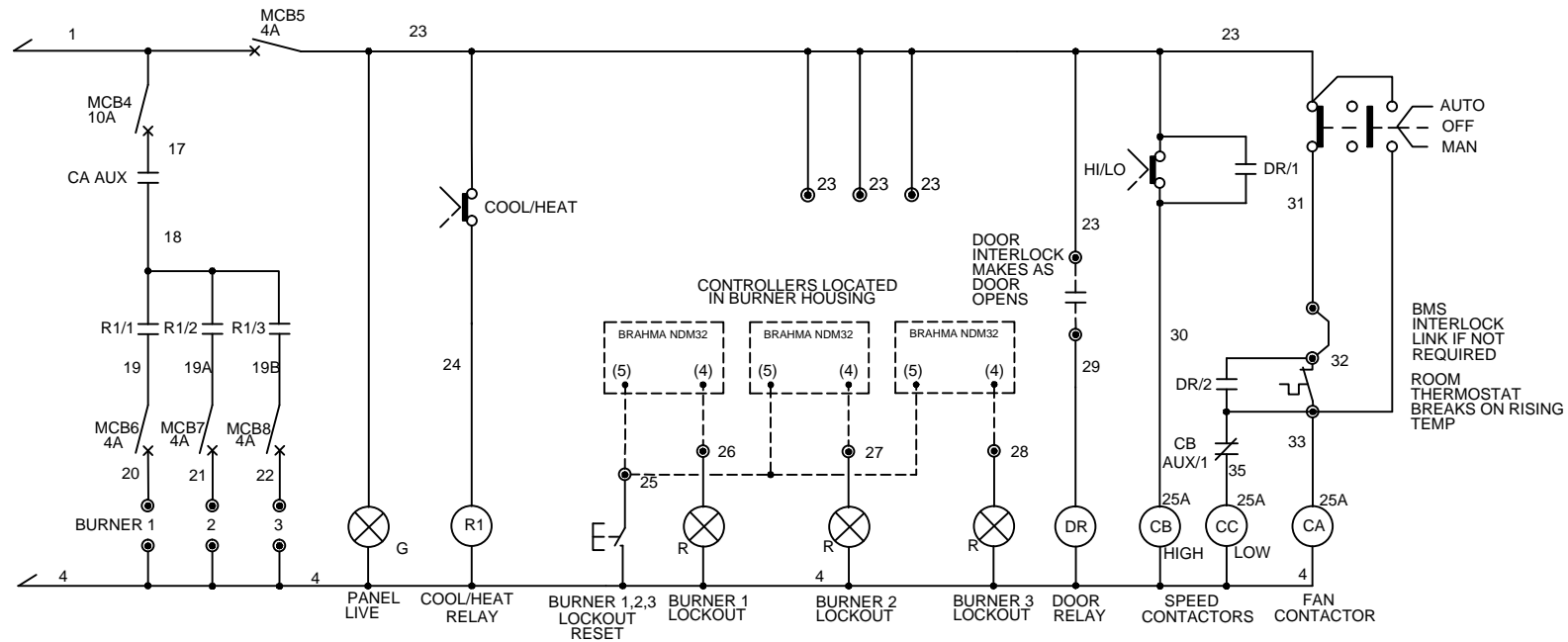
01/02/2018

CHECKED

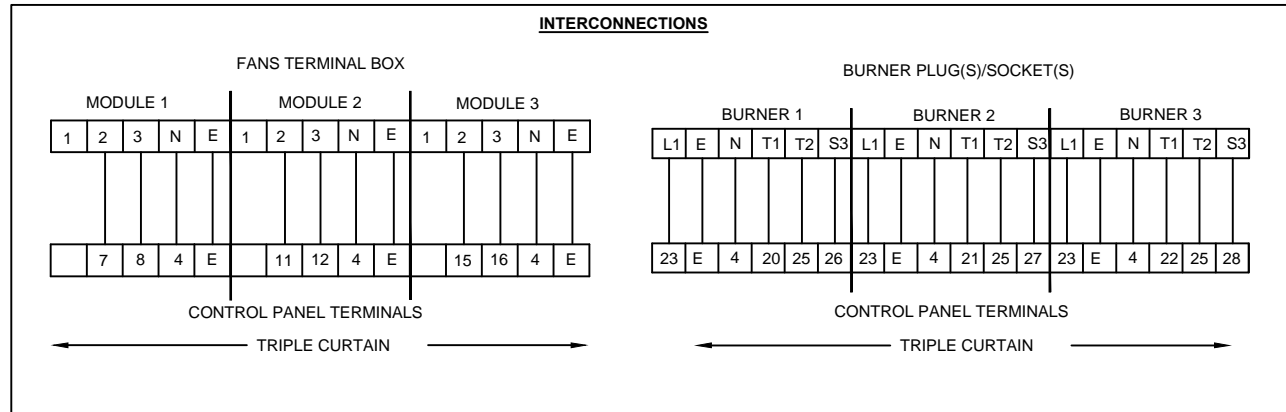
PM

APPROVED

REV	DATE	DESCRIPTION
		<div style="display: flex; justify-content: space-between;"> <div style="font-size: 8px;"> From Pool Avenue Glenroy VIC Street Modems DNS 12A Tel: 01394 480 700 Fax: 01394 480 707 </div> <div style="text-align: center;">  </div> </div>
		JOB No
		DRAWING No CP-AB-GAS-2-TRI
		REVISION
		SHEET 1 of 2



MODEL	No. OF FANS PER CURTAIN	TOTAL MOTOR CURRENT
AB 525	9	46.8A
AB 575	10	52A
AB 625	11	57.2A
AB 675	12	62.4A



Wiring Colour Scheme
 Phases.....: **Black**
 Control 230V.....: **Red**
 Neutral.....: **Light Blue**
 24 VAC.....: **Violet**
 24 VAC Ground.: **White**
 24 VDC.....: **Dark Blue**
 0-10 VDC.....: **Orange**
 Analogue Inputs: **Grey**

TITLE SCHEMATIC WIRING DIAGRAM FOR GAS
 FIRED TRIPLE MODULE DOOR CURTAINS
 415v 3PH+N SUPPLY

CLIENT
 STANDARD

DRAWN
 PP

DATE
 01/02/2018

CHECKED
 PM

APPROVED

PP

01/02/2018

PM

REV	DATE	DESCRIPTION

Fans: Pool Avenue, Bentley Hill, West Midlands B75 1QA, UK
 Tel: 01284 489 700, Fax: 01284 489 707

NORTEK
 GLOBAL HVAC

JOB No

DRAWING No CP-AB-GAS-2-TRI

REVISION

SHEET 2 of 2