



AMBI RAD

ENERGY EFFICIENT HEATING SYSTEMS

ENVIROAIR UCB/UCE

GAS FIRED AIR HEATERS

Introduction

Ambi-Rad UCB and UCE EnviroAir gas fired air heaters are compact, fully automatic and suitable for a wide range of industrial and commercial applications.

They are primarily designed for ducted applications to provide heating and ventilation. However they may also be used for free blowing applications where either higher airflows or fresh air is required. Units may be either installed in plant rooms or suspended in the area to be heated thereby saving valuable floor space.

Designed and manufactured to the highest degree of technical excellence, the heaters have an established record of reliability, long life and low maintenance. For free blowing applications a range of optional outlet louvres provide a choice of air distribution. Discharge nozzles for increased mounting heights are also available.

UCB and UCE units are conventional open flued appliances, drawing their combustion air from outside the building.

Comprehensive range

- Choice of heat outputs from 24kW to 93kW and airflows from 1350m³/h to 12,000m³/h.
- Wide range of optional filters, dampers and burner control systems make the units very versatile, thereby enabling the precise match of both the heating and ventilation requirements for a wide range of applications..

EnviroAir benefits

- Simple low cost heating and ventilation.
- Versatility: wide range of airflows and static pressures up to 400 pascals.

Technical data

Model		25	30	35	45	55	75	95
Nominal heat output	kW	24	28	34	41	51	70	93
Gas rate								
Natural gas G20	m ³ /h	2.89	3.33	4.13	4.97	6.17	8.49	11.33
Propane G31	kg/h	2.16	2.49	3.09	3.72	4.62	6.35	8.47
Gas connection†	BSP in	³ / ₄	³ / ₄	³ / ₄	³ / ₄	³ / ₄	³ / ₄	³ / ₄
Flue spigot diameter	mm	130	153	181	181	202	202	252
Airflow @ 125Pa (standard motor)	m ³ /h	1800	2600	3050	3400	4200	5900	7000
Minimum airflow	m ³ /h	1350	1650	2000	2300	2900	4000	5000
Standard motor (230V single phase)	kW	0.18	0.37	0.37	0.37	0.55	0.75	0.75
Maximum motor size (three phase)	kW	1.1	1.1	1.5	1.5	2.2	3.0	3.0
Maximum airflow (with larger motor)	m ³ /h	3000	4000	5000	5000	7200	9000	12000
Approximate weight (UCB models only)*	kg	94	127	147	147	163	188	236
Approximate weight (UCE models only)*	kg	124	161	192	192	207	262	307

† The connection size on the heater does not indicate the size of gas supply pipework. Gas pipework should be sized within allowable pressure drops to comply with current codes of practice.

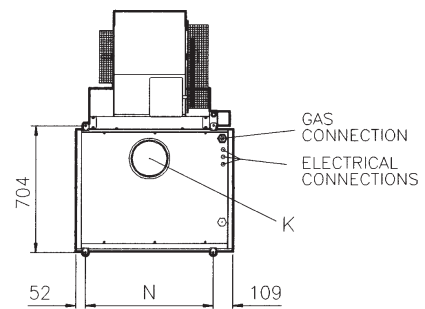
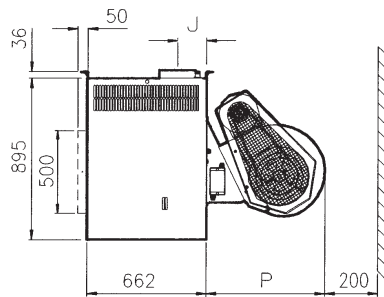
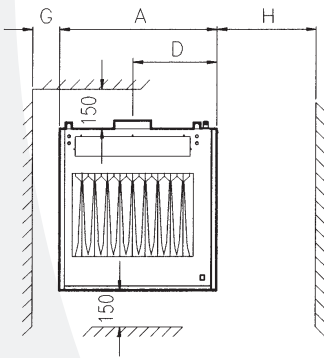
Natural gas G20 calorific value 10.5 kWh/m³ GCV minimum inlet pressure 17.5 mbar, maximum inlet pressure 50 mbar.

Propane G31 calorific value 14.0 kWh/m³ GCV. Minimum inlet pressure 37 mbar, maximum inlet pressure 50 mbar.

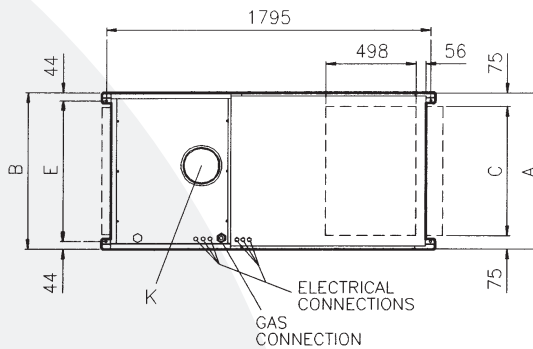
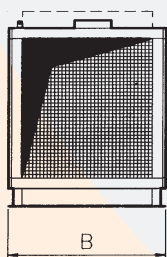
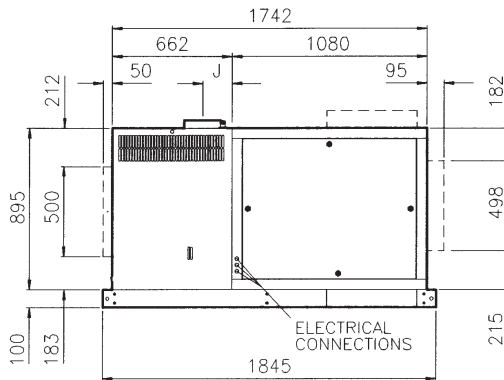
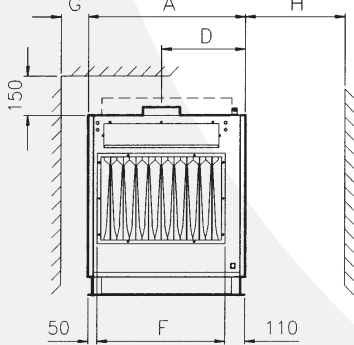
* Actual weight depends on options fitted.

Dimensions

UCB



UCE



Model	25	30	35	45	55	75	95
A Cabinet width	520	590	730	730	870	1080	1360
B Overall width (UCE models only)	524	594	734	734	874	1084	1364
C Duct inlet width (UCE models only)	370	440	580	580	720	930	1210
D Access side to flue centre	290	325	395	395	465	570	710
E Suspension centres (UCE models only)	436	506	646	646	786	996	1276
F Duct outlet spigot width	360	430	570	570	710	920	1200
G Side clearance non control side	150	150	150	150	150	300	300
H Side clearance control side	550	620	750	750	900	1100	1400
J Cabinet back to flue outlet	127	137	151	151	162	162	169
K Flue spigot diameter	130	153	181	181	202	202	252
N Suspension centres (UCB models only)	359	429	569	569	709	919	1199
P Depth centrifugal fan (UCB models only)	518	575	668	668	668	575	668

All dimensions are in millimetres.



Ambi-Rad Limited Fens Pool Avenue
Brierley Hill West Midlands
DY5 1QA United Kingdom

Telephone 01384 489700
Facsimile 01384 489707
UK sales email sales@ambirad.co.uk
Website www.ambirad.co.uk

AMBI RAD is the registered trademark of Ambi-Rad Limited.

Due to continuous product innovation, Ambi-Rad reserves the right to change product specification without due notice.
Document reference number GB/WA/053/1204

AMBI RAD
ENERGY EFFICIENT HEATING SYSTEMS



An Ambi-Rad Group company