

REZNOR®

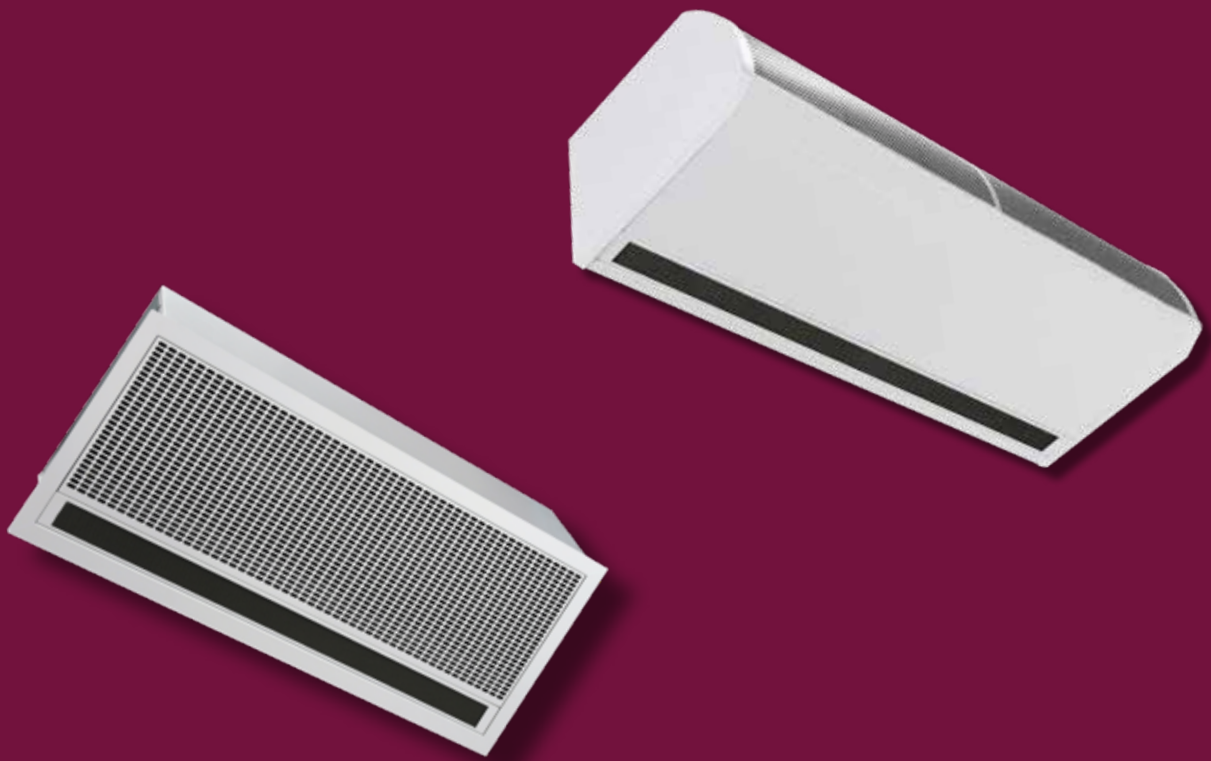
Trusted Heating Solutions

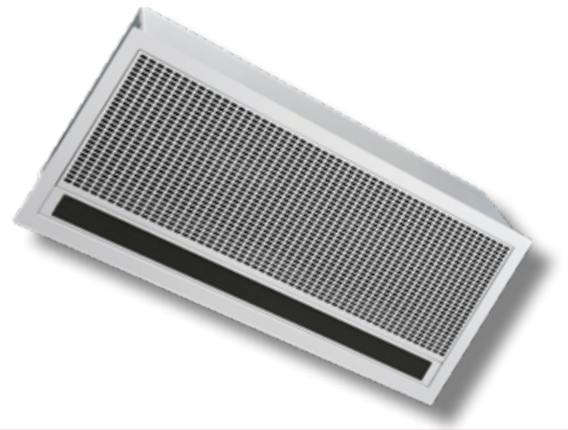
.....

Guardian

Commercial Air Curtains

.....





Guardian Series

Commercial / Retail Air Curtains

The Guardian Series is a range of commercial/retail air curtains, designed to be effective, efficient and aesthetically pleasing when wall mounted, recessed within a false ceiling, fitted in a bulkhead or on drop rods in front of glass fronted entrances.

The surface mount models offers an illuminated emergency exit sign as an option.

Model Range

The Guardian range consists of three models GS (surface mounted), GR (recessed) & GB (bulkhead) each available in 1.0m, 1.5m & 2.0m lengths. A vertical version (GV) will be available soon.

Each model is fitted, as standard, with a 3 speed fan. Electric models also include a SmartElec energy saving controller. A remote control panel is also supplied allowing full control of the air curtain including setting

required temperature (LPHW & Electric heating models) & 3 pre-selected fan speeds.

In addition to these, each range is available as:

- Ambient (non-heated)
- Electric heating
- Low pressure hot water heating

Electric heated versions require a three phase (415v) electrical supply, whilst all other versions need a single phase (230v) supply.

Standard colour is white (RAL9003), alternative colours are available, at an additional cost, to order.

Options

- Illuminated emergency exit sign
- Wall mounting bracket
- Outside air sensor
- Door switch (magnet set)

Applications

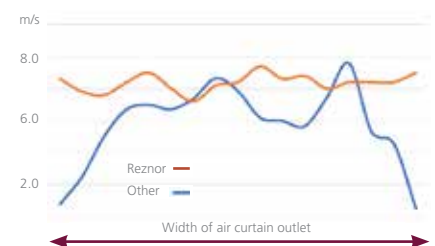
- Bars
- Hotels
- Offices
- Restaurants
- Shops
- Malls

Superior Performance

Guardian air curtains are fitted with a Honeycomb outlet, as opposed to a conventional outlet grille. The Honeycomb outlet provides superior performance by ensuring a uniform distribution of air, across the whole width of the outlet.



The graph below, shows the uniform velocity experienced across the outlet of a 1.5m wide Guardian air curtain, vs a competitors model using a conventional outlet grille.



(Measurements are taken with air curtain fan speed set to standard performance)

Features & Benefits

- Reduces heat loss around open doors by up to 80%
- Suitable for mounting heights of three or four metres depending upon application
- Smartelec energy saving controller fitted to all electric heat versions
- Good aesthetic appearance
- Honeycomb outlet
- Easily serviced
- Standard or high capacity performance from single model
- Rapid response electric heating coils
- CE approved
- Cost-effective heating solution
- Units can be placed side by side to resemble a continuous unit

Control

All models are supplied with a loose controller and 10m length of RJ45 communication cable.

Features

- Simple installation - wiring via a plug and play cable and connectors are direct to the controller, no intermediary terminal blocks are required
- Easy programming - users merely select whether they require the heat on or off (not ambient models), the required fan setting (1,2 or 3 speed), and the outlet temperature setting
- BMS compatible via Modbus communication
- Maintains constant outlet temperature at required room setting with tolerance for countering air curtain velocity (not ambient models)
- Air outlet sensor mounted within the air curtain to enable accurate room set temperatures (not ambient models)

- Can be linked to optional external thermostat for proportional control in various set temperatures

Benefits

- Energy saving - intelligent controller monitors set temperatures to ensure that once reached the unit merely modulates to maintain temperature
- Cost savings - no specialist commissioning required
- Reduced payback period on investment thanks to the significant energy savings generated
- Easier installation between air curtain and control panel - via plug and play 24V Belden 8132 cabling (various lengths available)
- Centralised control - units can be mounted up to 100m from the air curtain
- Discreet appearance - the moulded

plastic, slimline touch pad compliments most modern interiors and can be fitted into a standard (recessed) 2 gang electrical wall socket housing

- Enhanced security - all units can be security coded to prevent unauthorised access
- Network control of up to 16 air curtains from one control panel

Controller (supplied loose)



Optional external sensor



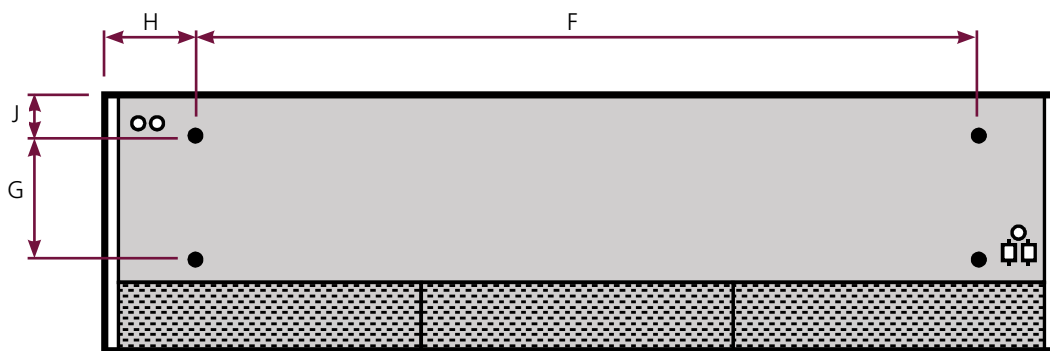
Technical Data

		Low Speed			Medium Speed			High Speed		
All Models		1000	1500	2000	1000	1500	2000	1000	1500	2000
Maximum door width	m	1.0	1.5	2.0	1.0	1.5	2.0	1.0	1.5	2.0
Maximum mounting height	m	3.0	3.0	3.0	3.0	3.0	3.0	4.0	4.0	4.0
Maximum air volume	m ³ /h	1,150	1,730	2,300	1,440	2,268	2,880	1,800	2,700	3,600
Maximum velocity	m/s	6.4	6.4	6.4	8	8.4	8	10	10	10
Motor power	W	365	530	730	365	530	730	365	530	730
Noise level @ 3m free field	dB(A)	52	52	52	55	55	55	59	59	59
Ambient Models (Unheated)										
Electrical supply		230V 1ph 50Hz								
Total electrical load	A	1.17	1.52	2.32	1.29	1.74	2.65	1.36	1.97	2.80
Weight	kg	32	48.5	60	32	48.5	60	32	48.5	60
Electric Heated Models										
Heating capacity - std/max ¹	kW	9/12	12/18	18/24	9/12	12/18	18/24	9/12	12/18	18/24
Electrical supply		415V 3ph 50Hz								
Total electrical load -per phase										
Standard - as supplied	A	13.7	18.3	27.4	13.8	18.4	27.7	13.8	18.5	27.8
Maximum - selectable by installer	A	17.9	26.6	35.7	18.0	26.8	36.0	18	27	36.2
Weight	kg	34.5	52	64.5	34.5	52	64.5	34.5	52	64.5
LPHW Heated Models										
Maximum heating capacity ²	kW	9/12	12/18	18/24	9/12	12/18	18/24	9/12	12/18	18/24
Electrical supply		230V 1ph 50Hz								
Total electrical load	A	1.17	1.52	2.32	1.29	1.74	2.65	1.36	1.97	2.80
Weight (incl water)	kg	38.5	58	72	38.5	58	72	38.5	58	72

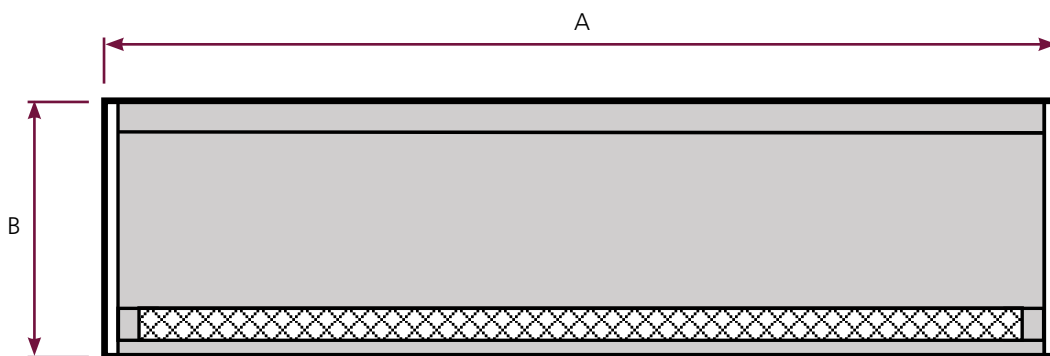
¹Std = default heating capacity, Max = jumper selectable by installer

²kW ratings based upon a flow & return water temperature of 82/72°C

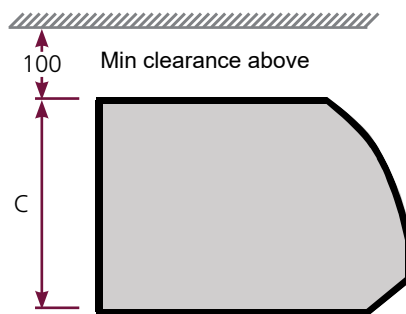
Dimensional Data - Surface Mounted Models (GS)



Top view



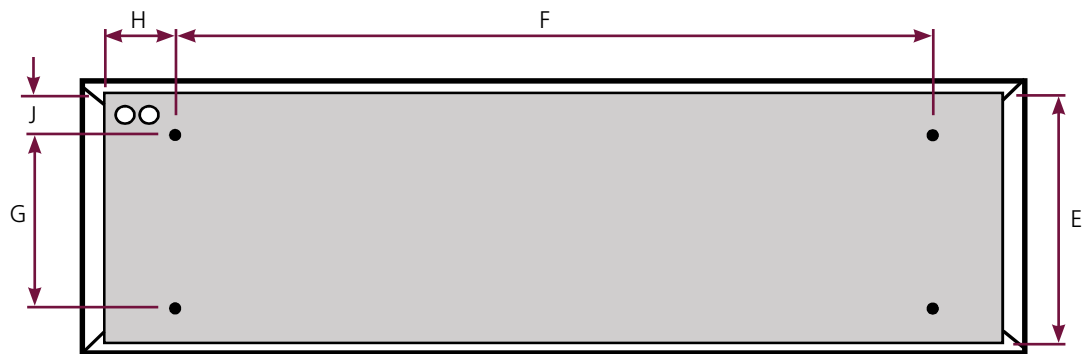
Bottom view



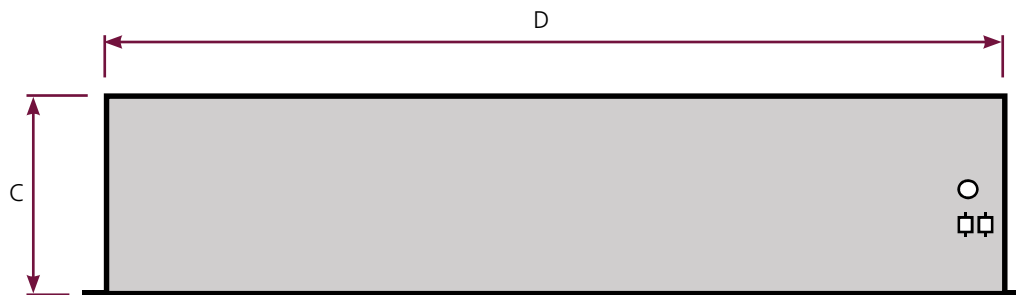
Side view

Dimensions		GS1000	GS1500	GS2000
A - Overall width	mm	1,094	1,620	2,148
B - Overall depth	mm	440	440	440
C - Height	mm	306	306	306
F - Suspension centres	mm	830	1,360	1,884
G - Suspension centres	mm	227	227	227
H - Suspension point location	mm	132	130	132
J - Suspension point location	mm	70	70	70

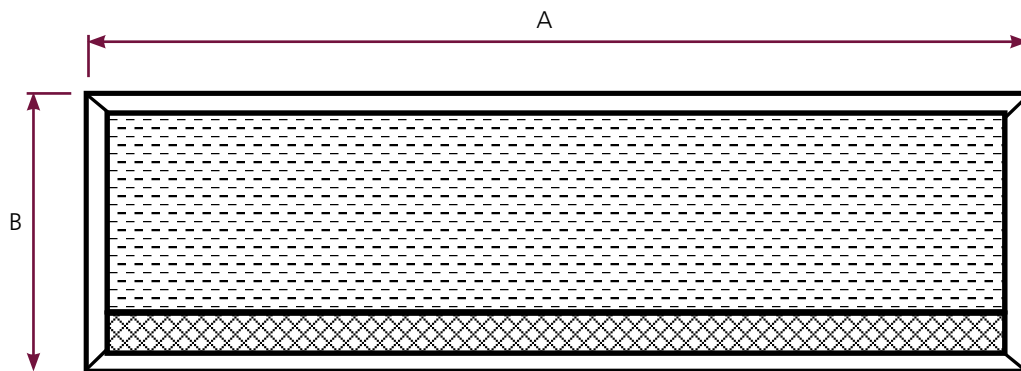
Dimensional Data - Recessed Models (GR)



Top view



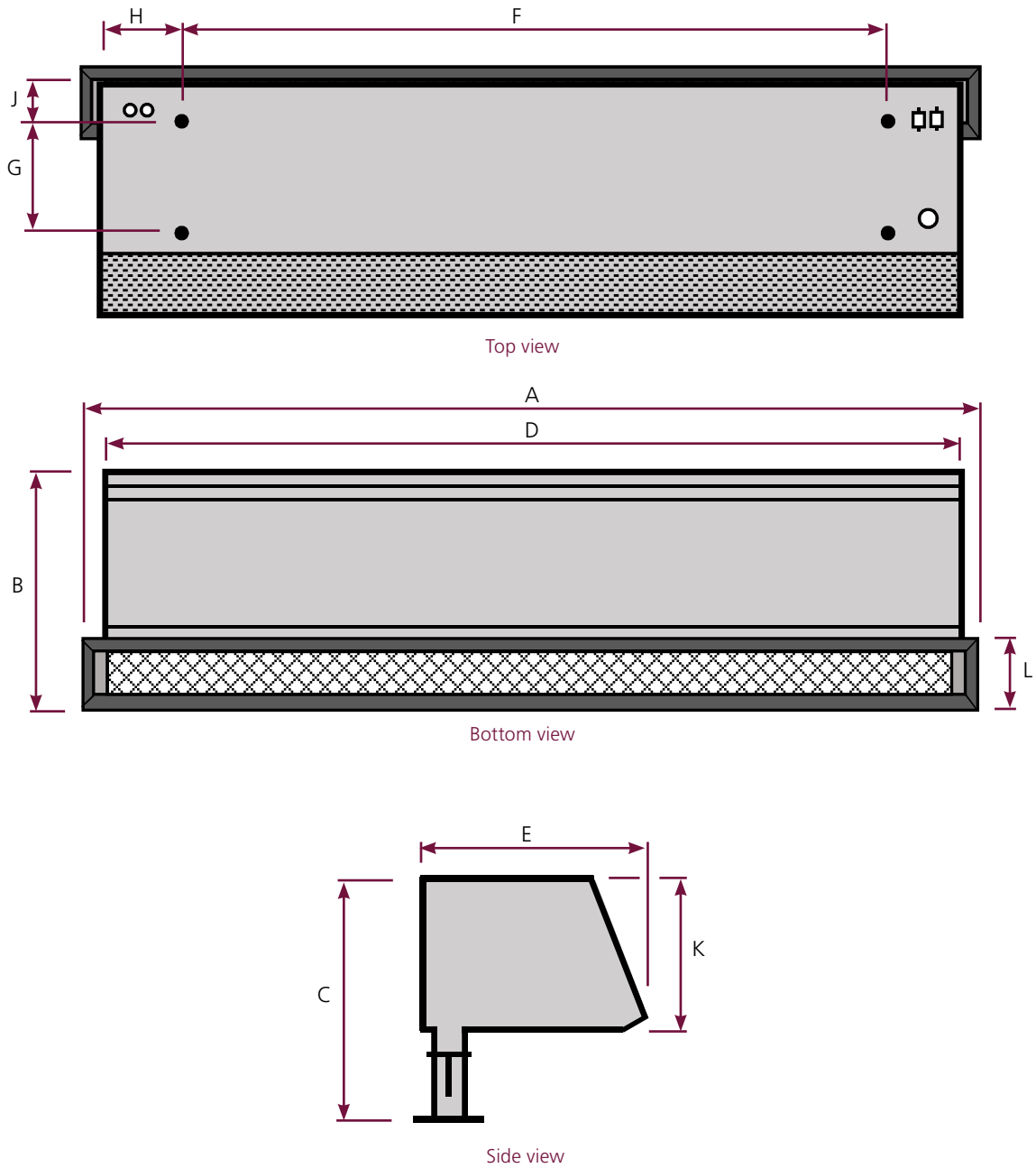
Front view



Bottom view

Dimensions		GR1000	GR1500	GR2000
A - Overall width	mm	1,125	1,650	2,177
B - Overall depth	mm	457	457	457
C - Height	mm	273	273	273
D - Casing width	mm	1,060	1584	2,111
E - Casing depth	mm	438	438	438
F - Suspension centres	mm	830	1360	1,884
G - Suspension centres	mm	298	298	298
H - Suspension point location	mm	114	112	114
J - Suspension point location	mm	70	70	70

Dimensional Data - Bulkhead Mounted Models (GB)



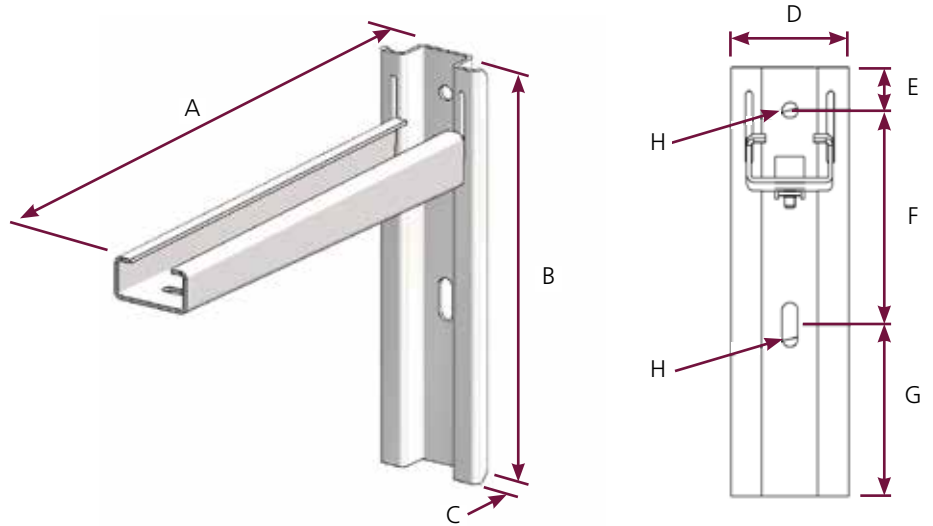
Dimensions				
Model		GB1000	GB1500	GB2000
A - Overall width	mm	1,125	1,650	2,177
B - Overall depth	mm	448	448	448
C - Height (min/max)	mm	427/487	427/487	427/487
D - Casing width	mm	1,060	1,584	2,111
E - Casing depth	mm	436	436	436
F - Suspension centres	mm	830	1,360	1,884
G - Suspension centres	mm	226	226	226
H - Suspension point location	mm	114	112	114
J - Suspension point location	mm	70	70	70
K - Casing height	mm	300	300	300
L - Outlet width	mm	137	137	137

Optional Equipment

Wall suspension bracket

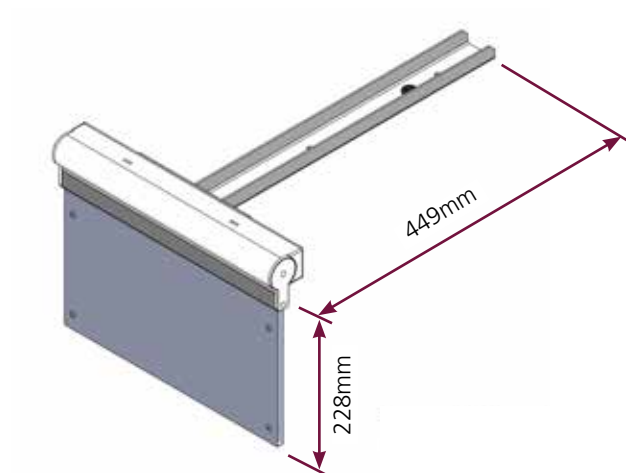
(For use with GS & GB models)

Dimensions		
A - Length	mm	355
B - Height	mm	300
C - Thickness	mm	25
D - Width	mm	82
E - Wall fixing location	mm	30
F - Wall fixing centres	mm	150
G - Wall fixing centres	mm	120
H - Fixing diameter	mm	11



Emergency exit sign

(For use with GS only)



Other products in the Reznor range:-

- Warm air heaters
- Radiant heating
- Destratification fans
- Heating & ventilation units
- Packaged rooftop units
- Air induction systems
- Gas fired heater modules
- Evaporative cooling



Registered in England No. 01390934 | Registered Office The Colmore Building, Colmore Circus Queensway Birmingham B4 6A
Nortek Global HVAC is a registered trademark of Nortek Global HVAC Limited. Because of continuous product innovation, Nortek Global HVAC reserves the right to change product specification without due notice.

NORTEK GLOBAL HVAC (UK) LTD
Fens Pool Avenue
Brierley Hill
West Midlands DY5 1QA
United Kingdom

Tel: +44 (0)1384 489 250
Fax: +44 (0)1384 489 707

reznorsales@nortek.com
www.reznor.eu