



AMBIRAD

ENERGY EFFICIENT HEATING SYSTEMS

UPA

POWER VENTED UNIT HEATERS

Introduction

The new range of UPA unit heaters is designed for enhanced energy efficiency and simple low cost installation. The units achieve thermal efficiencies of 92% and are listed on the Government's Energy Technology List, and users purchasing listed equipment are eligible to claim 100% Enhanced Capital Allowances within the 1st year. The combination of reduced energy consumption and reduced installation costs allow the extra cost of higher efficiency units to be recovered within 12 months.

UPA units are ideally suited for a wide range of commercial and industrial applications such as garages, warehouses, workshops and production facilities.

Energy saving

- 4-pass heat exchanger achieves over 92% thermal efficiency.
- Reduced carbon dioxide and NOx emissions.
- Eligible for Enhanced Capital Allowances.
- Aerodynamic heat exchanger profile enables up to 20% increase in airflow with a 30% reduction in electrical consumption.
- Improved airflow and new louvre design give longer air throws and significantly reduces stratification within the building.

Extended operational life

- The titanium stabilised aluminised steel heat exchanger is particularly strong and durable providing additional temperature resistance. Its weld free construction ensures long life.
- Self-aligning burner eliminates possible flame impingement and premature heat exchanger failure.
- Single burner eliminates cross lighting problems on ignition.

Enhanced safety

- Differential pressure switch shuts off the burner if either the flue or combustion air supply is obstructed.
- Dual limit stats monitor the airflow to prevent overheating in the event of the main fan failing or being restricted.

UPA benefits

Benefits

- High efficiency: lower running costs.
- Power vented flue: higher seasonal efficiencies.

Energy saving

- High thermal efficiency results in lower running costs.
- Power vented flue eliminates unnecessary heat loss via the flue.

Simple installation

- Power vented rear flue outlet permits use of simple wall terminal removing the requirement for roof penetrations.

Easy installation and maintenance

- Compact and robust - UPA heaters are up to 40% lighter.
- Single burner for easy maintenance and servicing.
- Maybe flued through wall or roof.

Technical data

Model		UPA30	UPA40	UPA50	UPA60	UPA70	UPA90
Nominal heat output	kW	27	40	49	57	69	91
Airflow	m ³ /h	2385	3885	4535	5540	6810	8825
Temperature rise	°C	33	30	32	30	29	30
Throw ³	m	20	25	28	30	33	36
Maximum flue length ¹	m	14	14	14	14	14	14
Gas consumption*							
Natural gas G20	m ³ /h	3.12	4.60	5.69	6.50	7.83	10.48
Propane G31	kg/h	2.30	3.39	4.20	4.79	5.77	7.72
Gas connection ²	Rc	1/2	3/4	3/4	3/4	3/4	3/4
Flue diameter	mm	100	100	100	130	130	130
Fan motor rating	kW	0.12	0.18	0.34	0.34	0.53	0.69
Total electrical rating	kW	0.273	0.333	0.490	0.490	0.677	0.848
Sound pressure level @ 5m							
Free field	dB(A)	43	45	49	52	49	53
Typical installation	dB(A)	50	52	56	59	56	60
Suggested mounting height ⁴	m	3.5	3.5	3.5	3.5	4.0	4.0
Approximate weight	kg	56	93	104	114	123	163

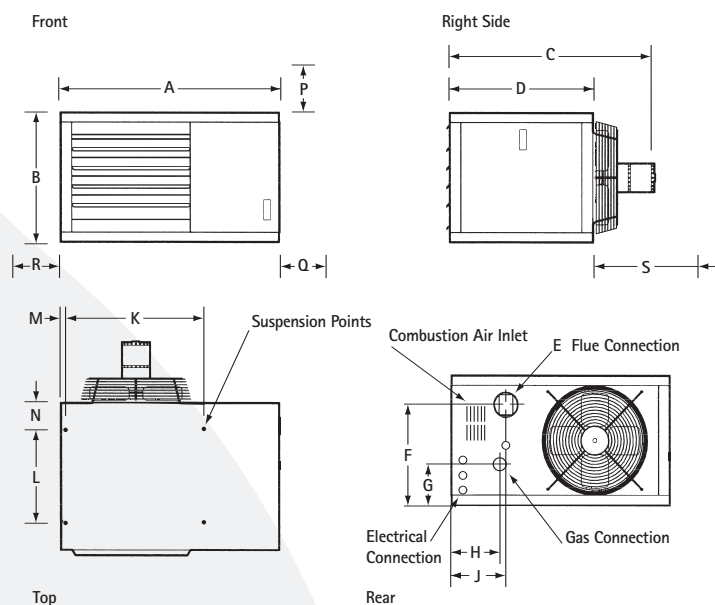
¹ Deduct 1.5m for each 90° bend.

² Not supply line size.

³ Throw depends on height of building, mounting height of heater, room temperature and louvre settings. ⁴ To underside of heater.

*Natural gas G20 minimum inlet pressure 17.5 mbar, maximum inlet pressure 50 mbar. Propane G31 minimum inlet pressure 37 mbar, maximum inlet pressure 50 mbar.

Dimensions



Model	UPA30	UPA40	UPA50	UPA60	UPA70	UPA90
A Width	702	975	975	975	975	1045
B Height	588	512	512	665	665	868
C Overall length	774	1132	1152	1141	1141	1141
D Cabinet length	549	900	900	900	900	900
E Flue outlet diameter	100	100	100	130	130	130
F Base to flue outlet	368	372	372	355	355	564
G Base to gas inlet	222	126	126	145	145	300
H Side to gas inlet	124	166	166	166	166	187
J Side to flue outlet	193	195	195	207	207	213
K Suspension centres	413	622	622	622	622	672
L Suspension centres	350	600	600	600	600	600
M Side to suspension point	17	37	37	37	37	37
N Back to suspension point	98	150	150	150	150	150
P Top clearance	50	100	100	100	100	100
Q Access side clearance	850	850	850	850	850	850
R Side clearance	50	100	100	100	100	100
S Rear clearance	450	450	450	450	450	450

All dimensions are in millimetres.



Ambi-Rad Limited Fens Pool Avenue
Brierley Hill West Midlands
DY5 1QA United Kingdom

AMBI-RAD is the registered
trademark of Ambi-Rad Limited.

AMBI-RAD
ENERGY EFFICIENT HEATING SYSTEMS

Due to continuous product
innovation, Ambi-Rad reserves
the right to change product
specification without due notice.
Document reference number GB/WA/051/1104

Telephone 01384 489700
Facsimile 01384 489707
UK sales email sales@ambirad.co.uk
Website www.ambirad.co.uk



An Ambi-Rad Group company