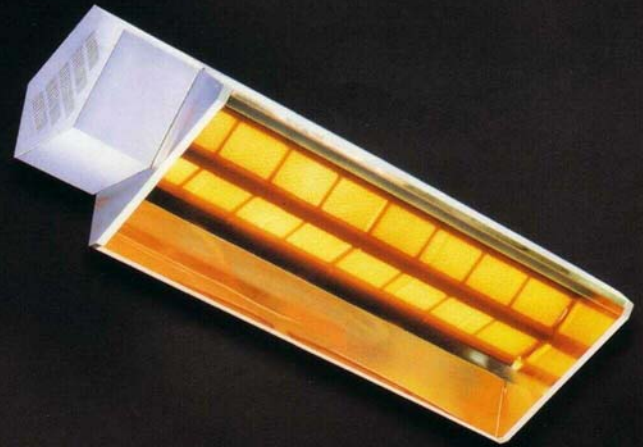
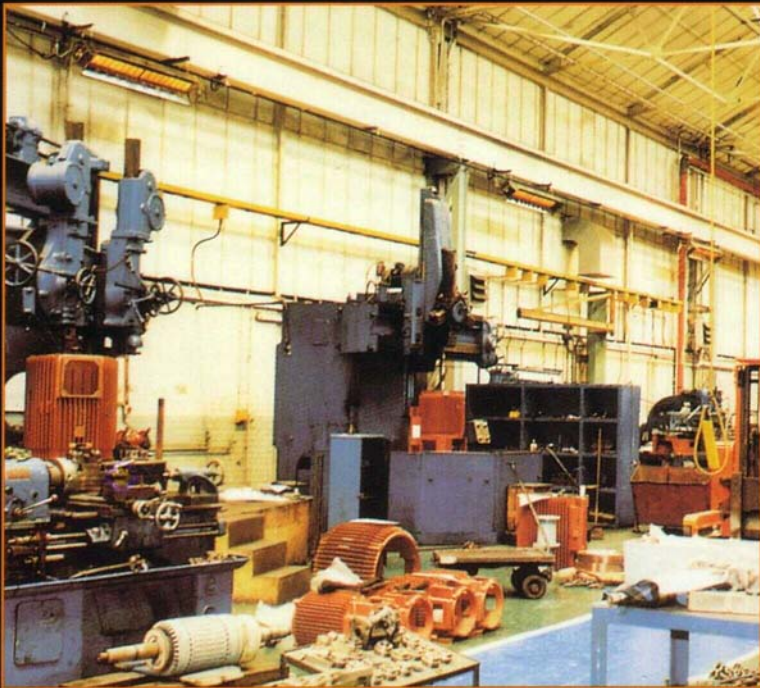


AMBIRAD

ENERGY EFFICIENT HEATING SYSTEMS



SOLARGLOW

CERAMIC PLAQUE HEATERS

The Solarglow range of heaters comprise 6 sizes with inputs from 6.5kW to 27kW and are suitable for both natural gas and propane.

Each heater comprises an aluminised steel combustion chamber and chassis, ceramic burner assembly which is supplied with a gas/air mixture from a natural draught injector venturi. Highly polished aluminium parabolic reflectors can be adjusted to enable directional control of the radiant heat. The heaters are particularly suitable for high roof buildings which suffer high air changes or for spot heating applications.

Control, ignition, and safety monitoring of the burner is completely automatic.

The three larger models feature twin burner assemblies providing Hi/Low firing of the units. By incorporating twin burners and dual control, it enables the Hi/Low option to operate at full radiant efficiency as opposed to units which reduce the gas pressure and therefore reduce the radiant efficiency.

The relationship between the geometric angle of the burners and reflectors ensures that during low firing the floor area covered by the units is maintained, but the radiant intensity is halved.

All models are fitted with a recuperator mesh below the radiant tile and they incorporate heat regain panels to direct flue gases over the burner chamber to pre-heat the gas/air mix, both features ensuring optimum efficiency.

Benefits

- An extremely short warm up period achieving optimum surface temperature of almost 1000°C within 2 minutes of ignition.
- Minimal air movement avoiding airborne dust and pollution problems.
- A high level of comfort achieved within spot heating applications.
- A higher floor temperature for all-round comfort conditions.

The economics

Solarglow gas radiant heaters offer very substantial savings for areas of intermittent or spot heating.

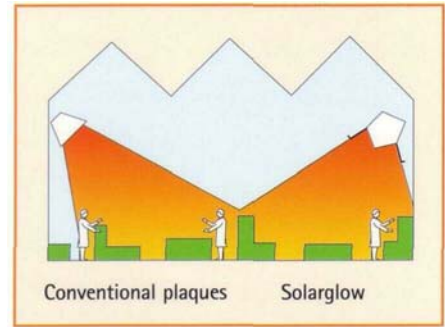
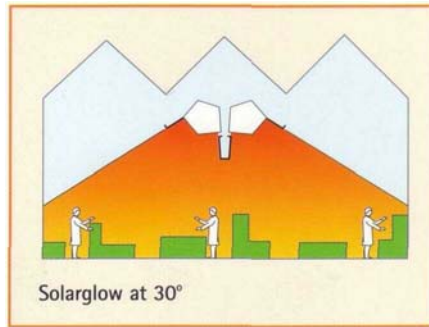
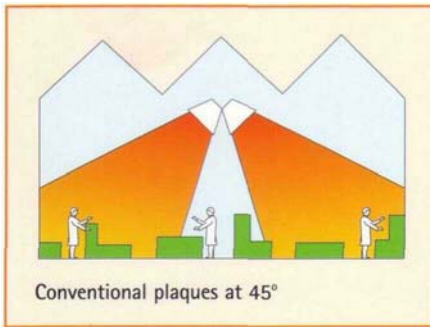
- Much lower running costs.
- Lower capital cost.
- Lower installation costs due to its lightweight construction and ease of handling.
- Exceptionally low maintenance costs.
- Low electrical load.

The advantages

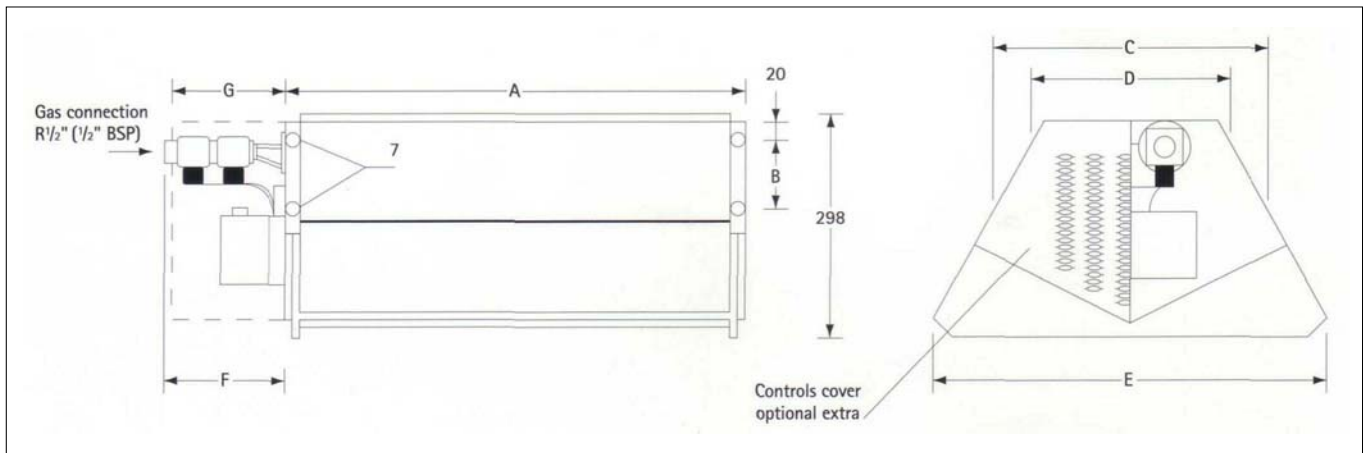
- Aluminised steel combustion chamber for durability and long life.
- Heat regain panels to direct hot flue gases over combustion chamber to pre-heat gas/air mix.
- Alveolar ceramic plaques with recuperator mesh for high radiant efficiency.
- Adjustable highly polished parabolic reflectors for maximising downward radiant heat intensity and coverage.
- High/low firing at full radiant efficiency for optimum control and comfort.
- Fully automatic in operation having electronic programme start up with spark ignition and flame failure safety control.
- Lightweight and easy to install.
- Silent in operation.



Radiant heat distribution advantages of incline mounted Solarglow units



Specification and technical data



Model		SG21	SG31	SG41	SG42	SG62	SG82	
Heat input	On/off							
	High	kW	6.5	10.5	13.5	13.0	21.0	
	Low	kW	N/A	N/A	N/A	6.5	10.5	
Maximum gas consumption	Natural gas	m ³ /h	0.60	0.93	1.26	1.22	1.86	
	LPG	m ³ /h	0.25	0.40	0.51	0.50	0.80	
Gas supply	Connection R 1/2 1/2 in BSP external thread : max pressure 65 mbar nat. gas (min 18 mbar)							
Electrical supply	230 volt 1 phase 50Hz							
Current rating								
Running current	single burner						0.13 amp	
	dual burner						0.25 amp	
Starting current	single burner						0.25 amp	
	dual burner						0.50 amp	
External fuse rating	3 amp external							
Ignition	Electronic programme start up with spark ignition							

Solarglow plaque heaters are manufactured in accordance with BS. 3561 and are classed as flameless appliances, therefore building ventilation must comply with BS. 6896:1991

Dimensions

Model	SG21	SG31	SG41	SG42	SG62	SG82
A	602	871	1140	602	871	1140
B	154	154	154	136	136	136
C	276	276	276	384	384	384
D	135	135	135	257	257	257
E	362	362	362	488	488	488
F	194	194	194	228	228	228
G	184	184	184	225	225	225

All dimensions are in millimetres.

Specification and technical data continued

Mounting heights

Model	Mounting position	Minimum mounting height (m)	Mounting height guide (m)
SG21	Horizontal	3.3	4.0-5.0
SG21	Inclined	2.7	3.5-4.0
SG31	Horizontal	3.5	4.0-6.0
SG31	Inclined	3.0	3.5-5.5
SG41	Horizontal	4.2	5.0-7.0
SG41	Inclined	3.6	4.5-6.0
SG42	Horizontal	4.2	5.0-7.0
SG42	Inclined	3.6	4.5-6.5
SG62	Horizontal	5.5	6.0-8.0
SG62	Inclined	5.0	5.5-7.5
SG82	Horizontal	6.5	*7.0-12.0
SG82	Inclined	6.0	*7.0-11.0

* Please refer to Ambi-Rad design office when mounting above 11 metres. For spot heating applications, use minimum mounting heights.

Distance from combustibles

Model	SG21	SG31	SG41	SG42	SG62	SG82
Above	750	750	750	750	750	750
Infront	2600	2600	2600	2600	2600	2600
Side	1100	1100	1100	1100	1100	1100

All distances are in millimetres.

Weight

Model	SG21	SG31	SG41	SG42	SG62	SG82
kg	11	13	15	15	18.5	22



Ambi-Rad Limited Fens Pool Avenue
Brierley Hill West Midlands
DY5 1QA United Kingdom

Telephone 01384 489700
Facsimile 01384 489707
UK sales email sales@ambirad.co.uk

AMBI-RAD and Solarglow
are registered trademarks of
Ambi-Rad Limited.

Due to continuous product innovation,
Ambi-Rad reserves the right to change
product specification without due notice.

AMBI-RAD
ENERGY EFFICIENT HEATING SYSTEMS

Document reference number GB/SG/023/0200