

# EN:298 Circuit Board Insert

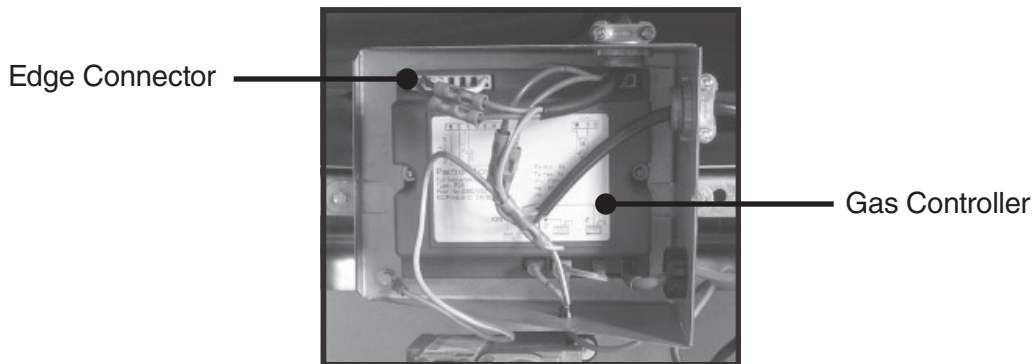
---

To be used in conjunction with *DR Series (CE) models only.*

**NOTE:** Reference the DR (CE) Series Manual (F/N: LIOGDR) for installation requirements.

## Replacement Procedures

### A. EN:298 Internal Wiring Diagram - Pactrol Circuit Board



1. Switch off electrical supply.
2. Unscrew the screw which retains the cover of the control enclosure. Remove cover.
3. Disconnect the spark electrode lead from the control box terminal.
4. Unscrew the two machine screws which retain the gas controller in place. Disconnect the edge connector from the controller. Lift controller clear.
5. Replace controller and re-assemble.
6. Re-commission heater.

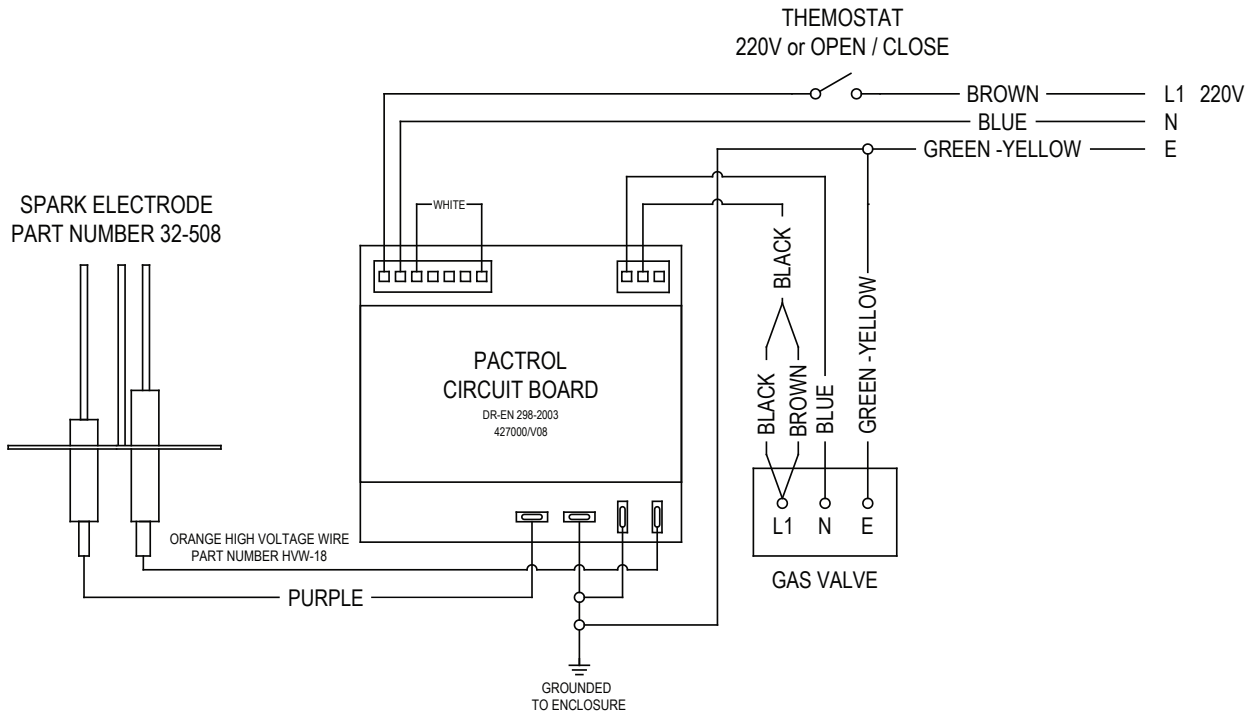
**NOTE:** Reference the DR (CE) Series Manual (F/N: LIOGDR) for installation requirements.

## EN:298 Circuit Board Internal Wiring Diagrams

**Before field wiring this appliance - Check existing wiring; replace if necessary.**

**Note:** If any of the original wire supplied with the appliance must be replaced, it must be replaced with wiring material having a temperature rating of at least 105° C.

### A. EN:298 Internal Wiring Diagram - Pactrol Circuit Board



### B. EN:298 Internal Wiring Diagram - Pektron Circuit Board

