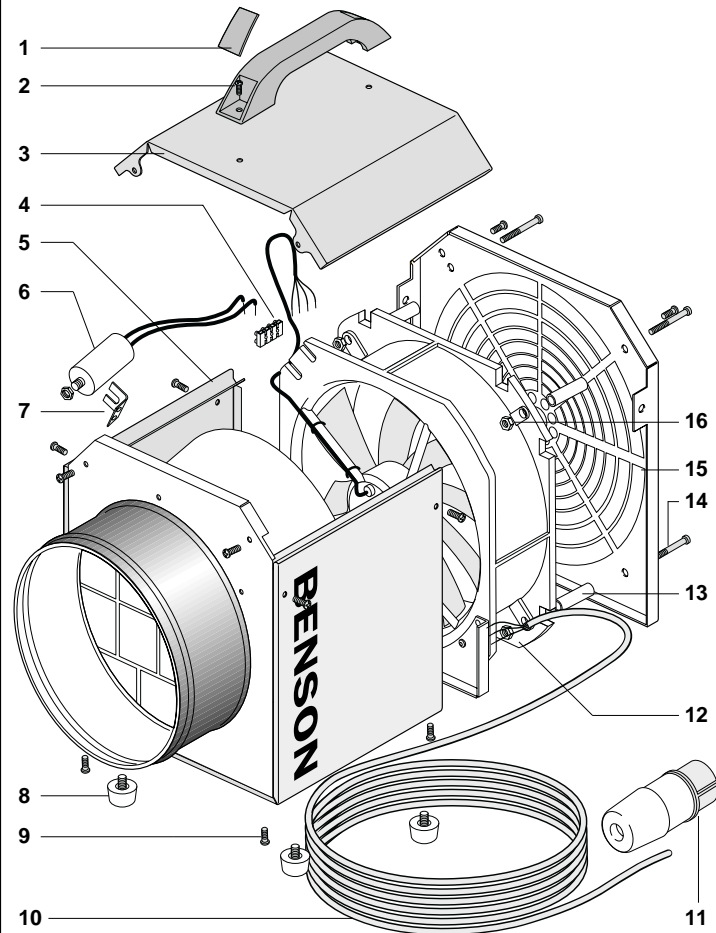


PORTABLE FAN PARTS LIST AND SERVICE MANUAL

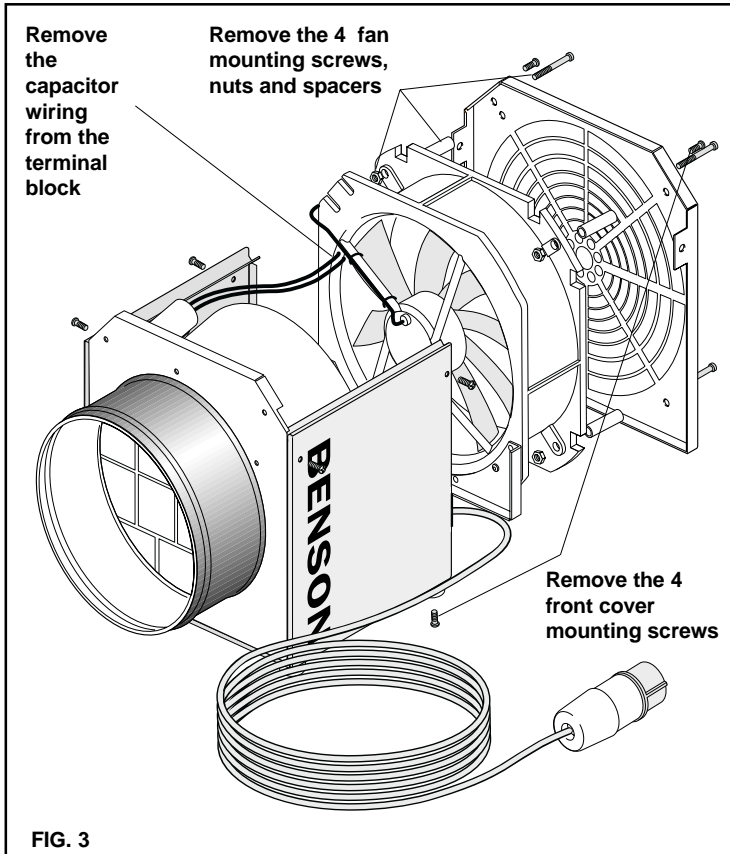
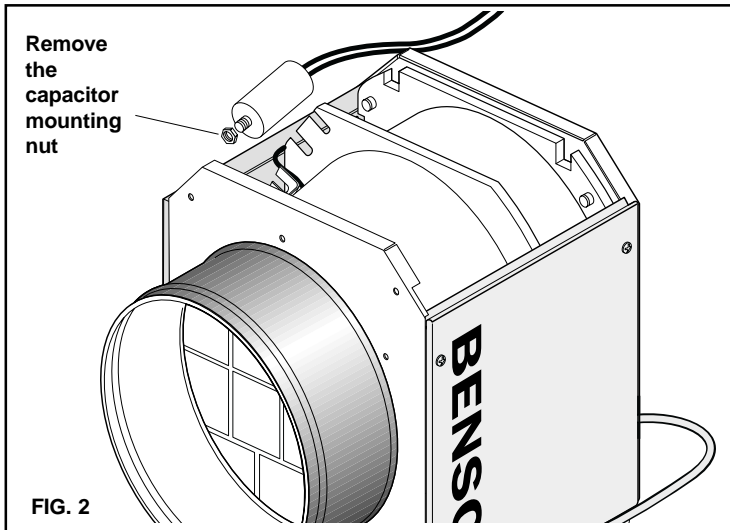
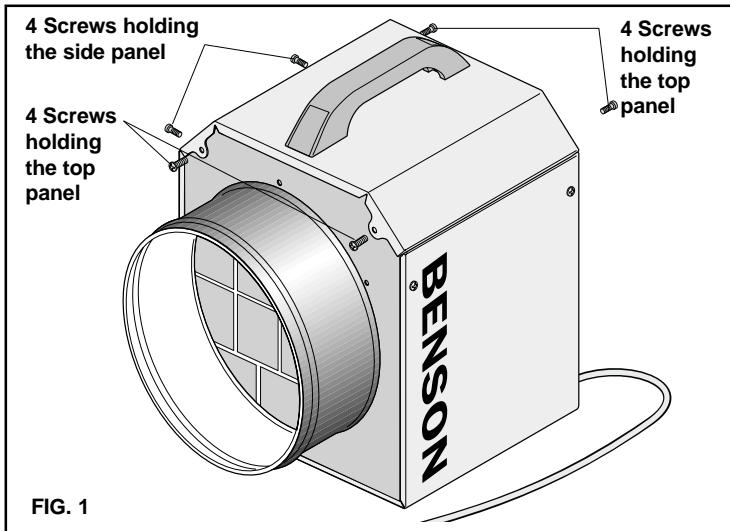


PARTS LIST



Drg No	DESCRIPTION	Part No	No Off
1	HANDLE		1
2	SCREW		2
3	TOP PRESSING		1
4	TERMINAL BLOCK		1
5	BASE AND SIDES		1
6	CAPACITOR		1
7	BRACKET - CAPACITOR		1
8	FOOT		4
9	SCREW		
10	CABLE - POWER SUPPLY		1
11	PLUG - TRANSFORMER		1
12	FAN UNIT		1
13	SPACER - FAN UNIT		4
14	SCREW - FAN UNIT		4
15	FRONT COVER		1
16	NUT - FAN UNIT		4

PORTABLE FAN PARTS LIST AND SERVICE MANUAL



TO REPLACE THE CAPACITOR

- 1 Remove the 4 screws holding the top/handle assembly in place (Fig. 1).
- 2 Remove the 2 screws holding the side panel adjacent to the capacitor (Fig. 1) - this allows the panel to be moved to gain access to the capacitor, and the terminal block.
- 3 Remove or loosen the nut holding the capacitor in place (Fig. 2), and unscrew the capacitor wiring at the terminal block, and remove the capacitor.
- 4 Replace with a new unit, and refit all screws and refit the top panel.

TO REPLACE A DEFECTIVE FAN

- 1 Remove the 4 screws holding the top/handle assembly in place (Fig. 1).
- 2 Remove the 4 screws holding the front cover in place (Fig. 3) - there are 2 on the face of the panel and 2 on the underside.
- 3 Remove the mains input cabling from the terminal block.
- 4 Remove the capacitor wiring from the terminal block.
- 5 Remove the 4 screws, nuts and spacers holding the fan to the front cover, and remove the fan.
- 6 Replace the defective unit with a new unit, and reverse the strip down procedure to assemble.