



AMBI RAD

ENERGY EFFICIENT HEATING SYSTEMS

UCA

CONVENTIONALLY FLUED HEATERS

Introduction

Further extending the capabilities of the Ambi-Rad range of warm air solutions, the new economy range of UCA unit heaters delivers low cost reliable heating.

Designed for use in a wide range of commercial and industrial applications such as workshops, garages, production facilities and warehouses, Ambi-Rad UCA heaters are equipped with axial flow fans, a Piezo ignition pilot system and horizontal louvres painted in a contrasting colour fitted on the air discharge. Vertical louvres may be added as an optional extra. Units are suspended or mounted on wall brackets so that they do not occupy valuable floor space.

UCA benefits

- Easy installation and maintenance.
- Low cost.

Features

- Conventional flue.
- Axial fan for free blowing applications.
- Suitable for natural gas (G20).
- Aluminised steel heat exchanger.
- Piezo ignition system.
- Horizontal louvres.

Options

- Vertical louvres.
- Downturn nozzles (30° and 60°).
- Suitable for propane gas.
- Air recirculation thermostat.
- Wall mounting brackets.

Technical data

Model		UCA25	UCA30	UCA35	UCA45	UCA55	UCA75	UCA95
Nominal heat output	kW	24	28	34	41	51	70	93
Airflow	m ³ /h	1700	2400	3700	3700	4200	5600	7900
Temperature rise	°C	41	33	27	32	35	36	34
Throw ¹	m	17	20	28	28	28	32	38
Gas consumption*								
Natural gas G20	m ³ /h	2.89	3.33	4.13	4.97	6.17	8.49	11.33
Propane G31	kg/h	2.16	2.49	3.09	3.72	4.62	6.35	8.48
Gas connection ²	Rc	3/4	3/4	3/4	3/4	3/4	3/4	3/4
Nominal flue diameter	mm	125	150	175	175	200	200	250
Fan motor(s) rating	kW	0.075	0.12	0.12	0.12	0.12	0.24	0.24
Total electrical rating	kW	0.11	0.15	0.23	0.23	0.23	0.31	0.51
Sound pressure level @ 5m								
Free field	dB(A)	44	44	47	47	47	48	51
Typical installation	dB(A)	51	51	54	54	54	55	58
Recommended mounting height ³	m	2.0-2.5	2.0-2.5	2.25-2.75	2.25-2.75	2.5-3.0	2.5-3.0	2.5-3.0
Approximate weight	kg	72	84	100	100	116	145	183

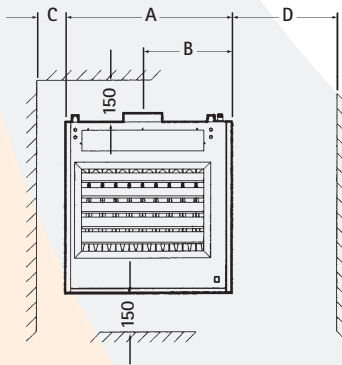
¹ Throw depends on height of building, mounting height of heater, room temperature and louvre settings.

² Not supply line size

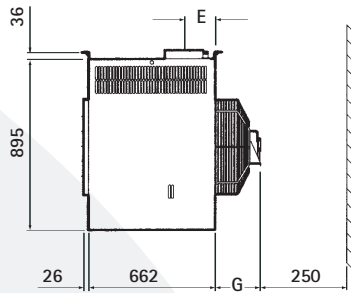
³ To underside of heater

* Natural gas G20 minimum inlet pressure 17.5 mbar, maximum inlet pressure 50 mbar. Propane G31 minimum inlet pressure 37 mbar, maximum inlet pressure 50 mbar.

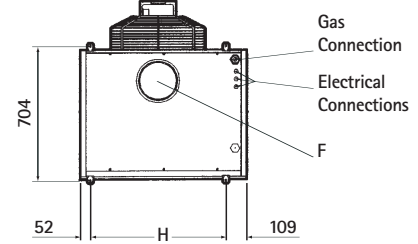
Dimensions



Front View



Side View



Top View

Model	UCA25	UCA30	UCA35	UCA45	UCA55	UCA75	UCA95
A Cabinet width	520	590	730	730	870	1080	1360
B Access side to flue centre	290	325	395	395	465	570	710
C Side clearance non control side	150	150	150	150	150	300	300
D Access side clearance	550	620	750	750	900	1100	1400
E Cabinet back to flue outlet	127	137	151	151	162	162	169
F Flue spigot diameter	130	153	181	181	202	202	252
G Depth axial fan	218	249	278	278	318	249	318
H Suspension centres	359	429	569	569	709	919	1199

All dimensions are in millimetres.



Ambi-Rad Limited Fens Pool Avenue
Brierley Hill West Midlands
DY5 10A United Kingdom

Telephone 01384 489700
Facsimile 01384 489707
UK sales email sales@ambirad.co.uk
Website www.ambirad.co.uk

AMBI-RAD is the registered trademark of Ambi-Rad Limited.

Due to continuous product innovation, Ambi-Rad reserves the right to change product

Document reference number GB/WA/052/1104

AMBI-RAD
ENERGY EFFICIENT HEATING SYSTEMS



An Ambi-Rad Group company