

INSTALLATION INSTRUCTION OPTION 203 : 30° DOWNTURN NOZZLE UPA models

DESCRIPTION/APPLICATION

Downturn nozzles are designed to discharge air in a more vertical direction. These 30°downturn nozzle packages apply to Reznor® models UPA as listed in the table below.

MODEL Size		UPA			
		30	40-50	60-70	90
Option n°		OP203---U30	OP203---U40	OP203---U60	OP203---U90
Nozzle side	Qty	1	1	1	1
left	PN	90 82872 030	90 82872 040	90 82872 060	90 82872 090
Nozzle side	Qty	1	1	1	1
right	PN	90 82874 030	90 82874 040	90 82874 060	90 82874 090
Nozzle	Qty	1	1	1	1
top	PN	90 82876 030	90 82876 040	90 82876 060	90 82876 090
Nozzle	Qty	1	1	1	1
bottom	PN	90 82878 030	90 82878 040	90 82878 040	90 82878 090
Plastic bag incl.					
*rivet	Qty	8	8	8	10
TP 4,8x7	PN	06 25836			
*tapit screw	Qty	6	6	8	8
10x1/2" Zk	PN	06 1731			

INSTALLATION INSTRUCTIONS

Installation should be done by a qualified service agency in accordance with the instructions on this sheet and in compliance with all codes and requirements of authorities having jurisdiction.

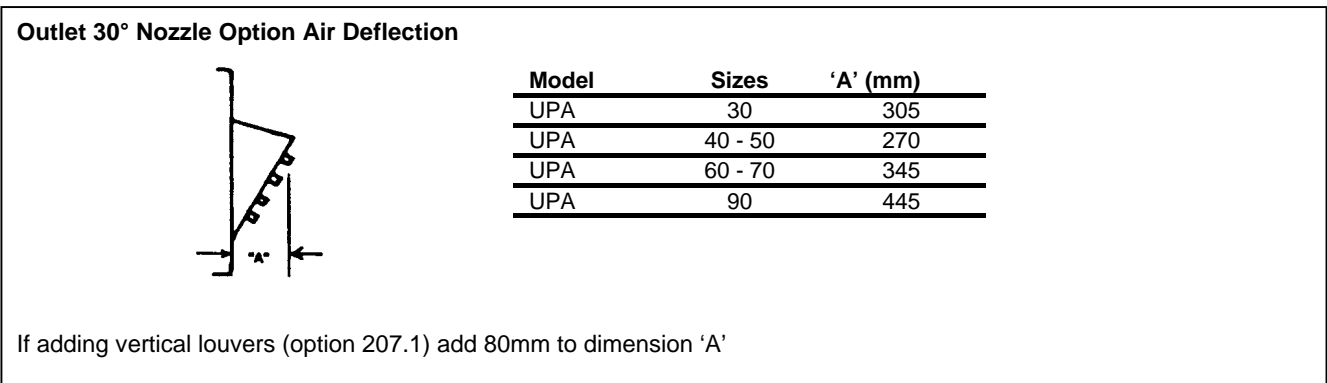
INSTALLATION NOTE: wherever possible, always insert screws with pointed ends inside the nozzle.

WARNING:

Improper installation, adjustment, alteration, service or maintenance can cause property damage, injury or death.
Read the installation, operation and maintenance instructions thoroughly before installing or servicing this equipment.

SECTION A

Figure 1



- 1) **If the heater is installed, turn off the gas and the electric power.**
- 2) **Remove the horizontal louvers.** Remove each of the louvers by depressing the retaining springs and rotating the other louver side away from the heater. Save the louvers and springs. These will be used in the outlet of the downturn nozzle.
- 3) **Install the downturn nozzle side panels (see figure 2).** Using the nozzle side panels as a template, mark and then drill the required attachment holes (dia 3.2mm)
Attention : ensure that side panels are perfectly aligned with the outlet opening so that the nozzle can be perfectly centred in the outlet opening.
 Position the nozzle sides on the heater and attach with the screws provided.
 Assemble the nozzle top panel on the nozzle side panels by means of 6 rivets. Assemble the nozzle bottom on the nozzle side panels by means of 2 rivets.
Remark : do not assemble the nozzle bottom when installing the option 203.4 (60° downturn nozzle).
- 4) **Reinstall the horizontal louvers.** Position the louvers and retaining springs in the holes provided at the exit of the nozzle. **DO NOT** reinstall louvers without the retaining springs. Adjust the louvers to obtain the desired floor coverage.

SECTION B

Additional instructions for installing vertical louvers in option 203 according to installation instructions option 207.1 (see figure 3).

- 1) **Attach the vertical louver assembly.** Rivet the top member of the assembled vertical louvers to the top of the downturn nozzle using the holes provided.
- 2) **Adjust the vertical louvers to obtain the desired floor coverage.** Installation is complete.

Figure 2

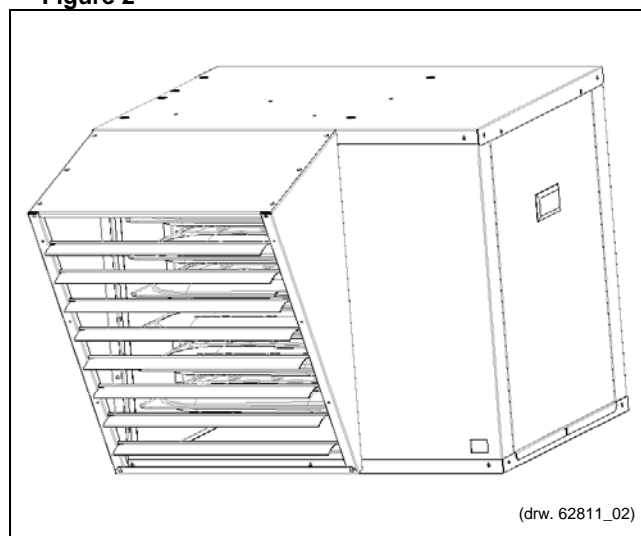
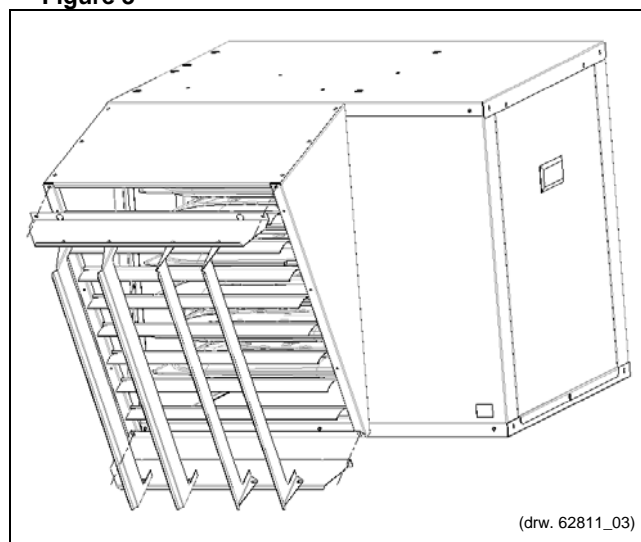


Figure 3



CAUTION :

To avoid getting burned, adjust the louvers when the heater is not in operation. If adjustment is required while the heater is in operation, wear protective gloves.

Subject to modifications