

WIRING DIAGRAM MANUAL FOR BENSON EVRD EXTERNAL HEATER

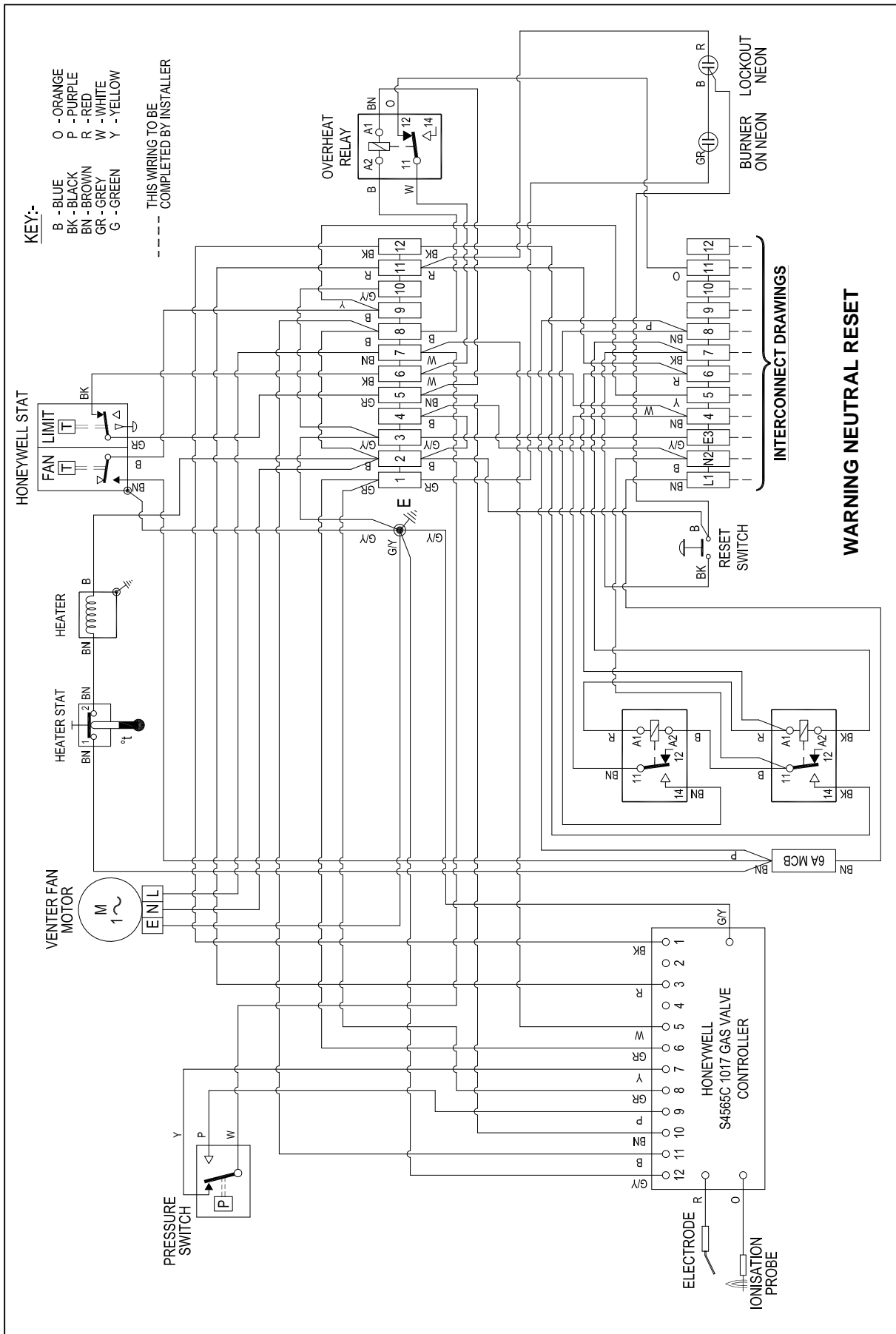


WARNINGS

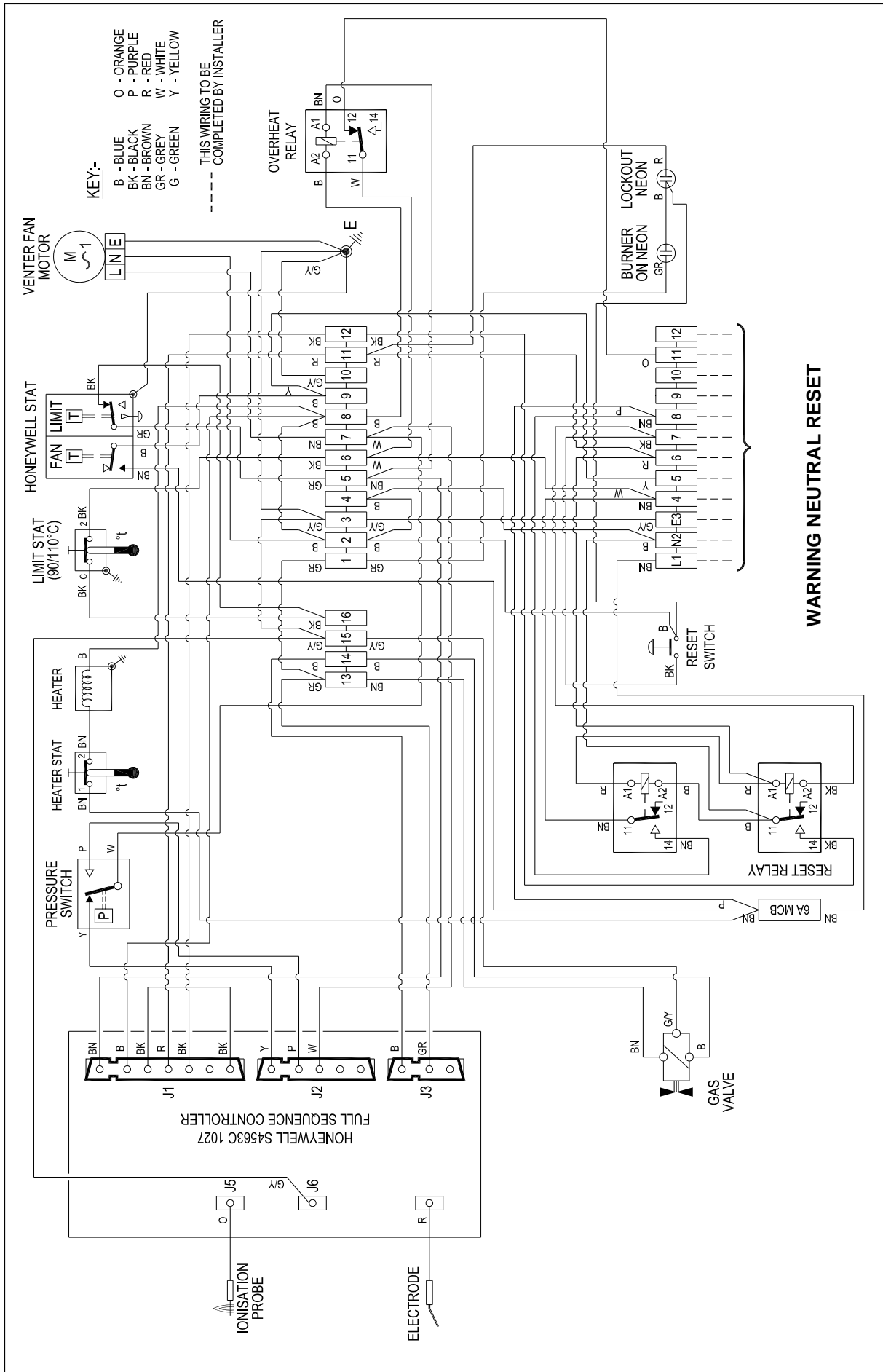
Installation of Benson Equipment must be carried out in accordance with the current IEE wiring regulations (BS 7671), BS 6896 (Industrial & Commercial) and any other relevant British Standards and Codes of Practice by a qualified installer. All external wiring **MUST** comply with the current IEE wiring regulations.

Wiring Diagrams - ERVD External Unit Heaters

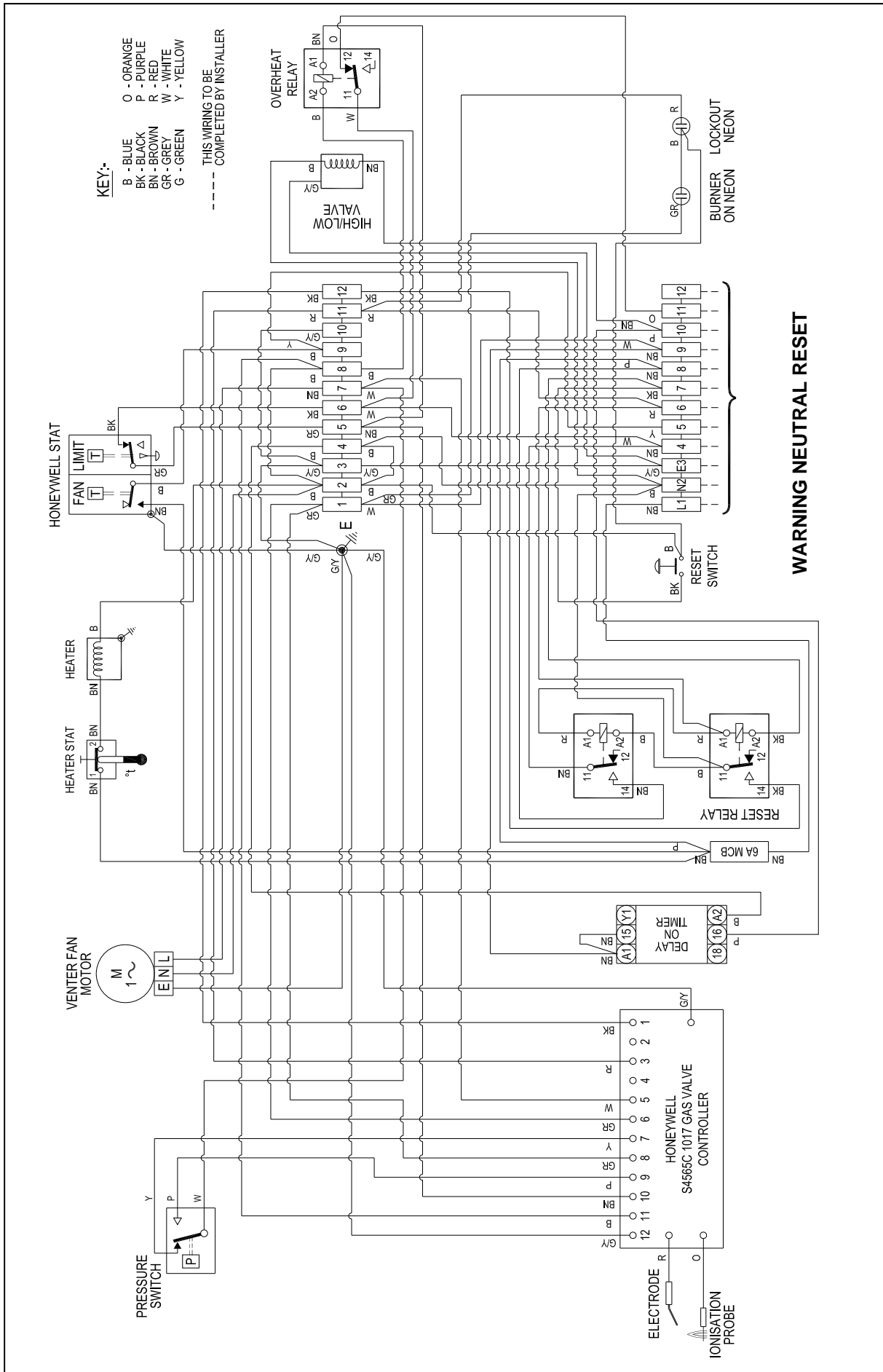
Wiring Diagram 33-67-112 EVRD 12-60 Auto ignition On/Off



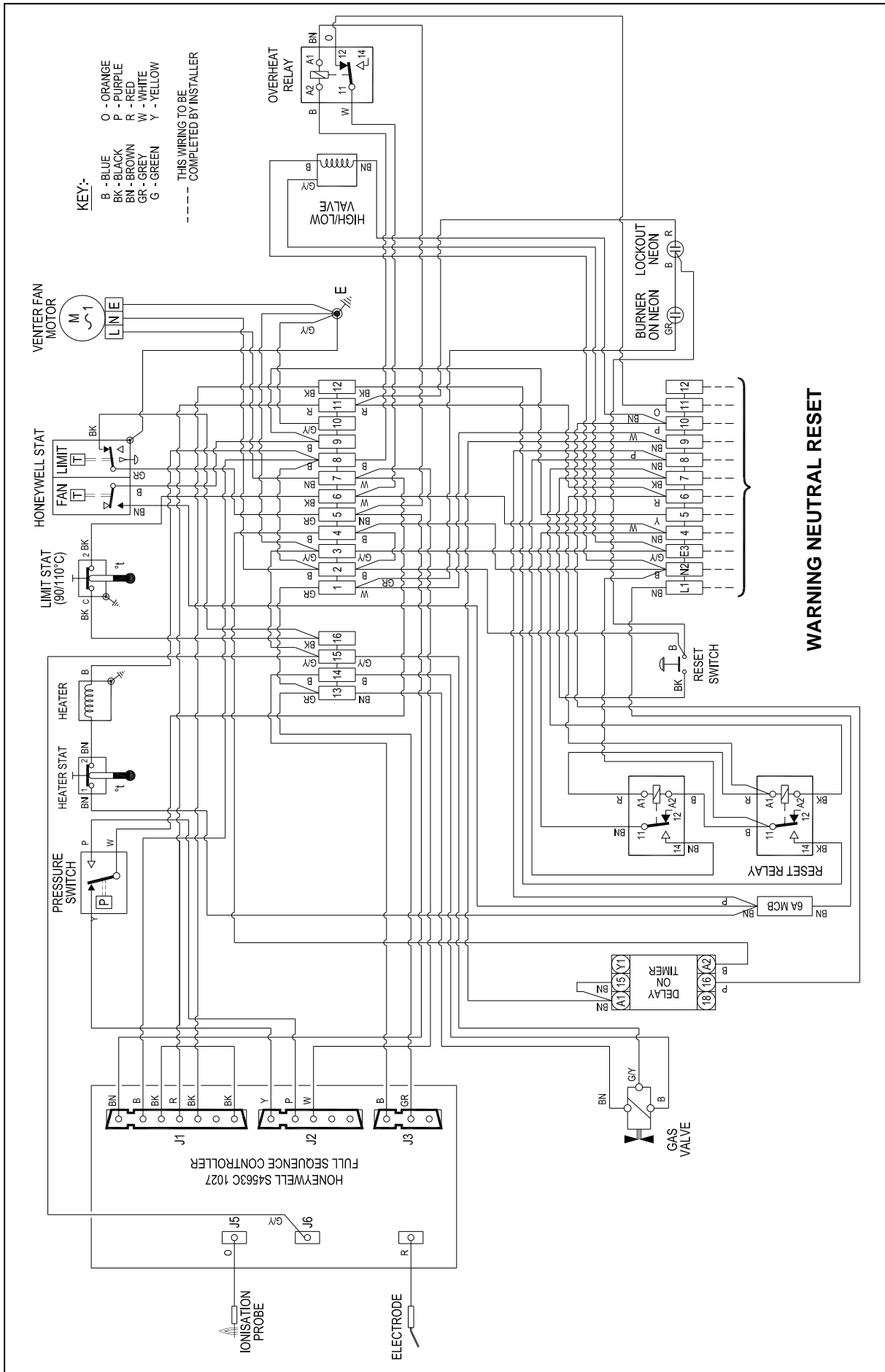
Wiring Diagram 33-67-113 EVRD 72-145 Auto ignition On/Off



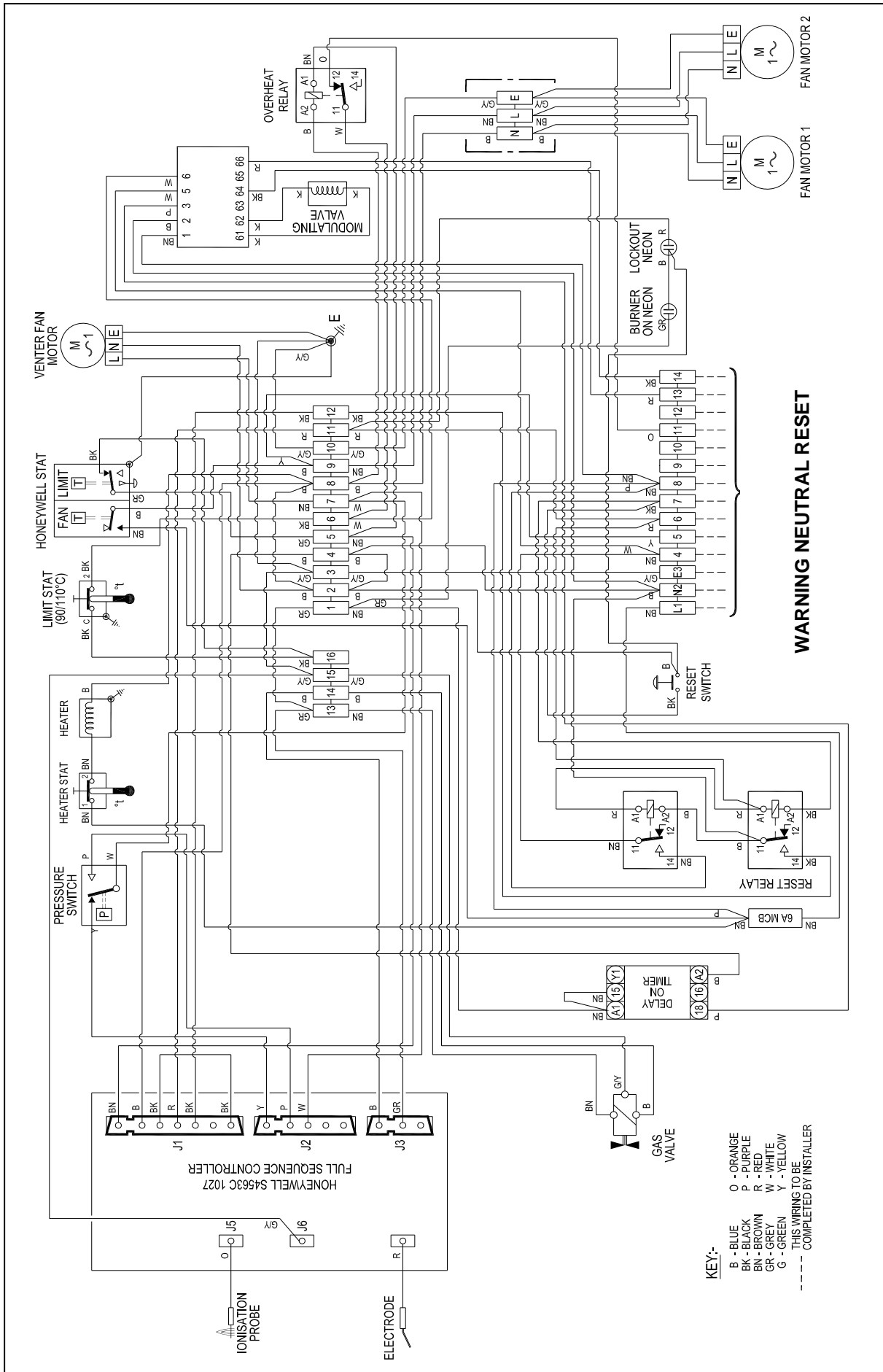
Wiring Diagram 33-67-713 EVRD 12-60 Auto ignition Hi/Low



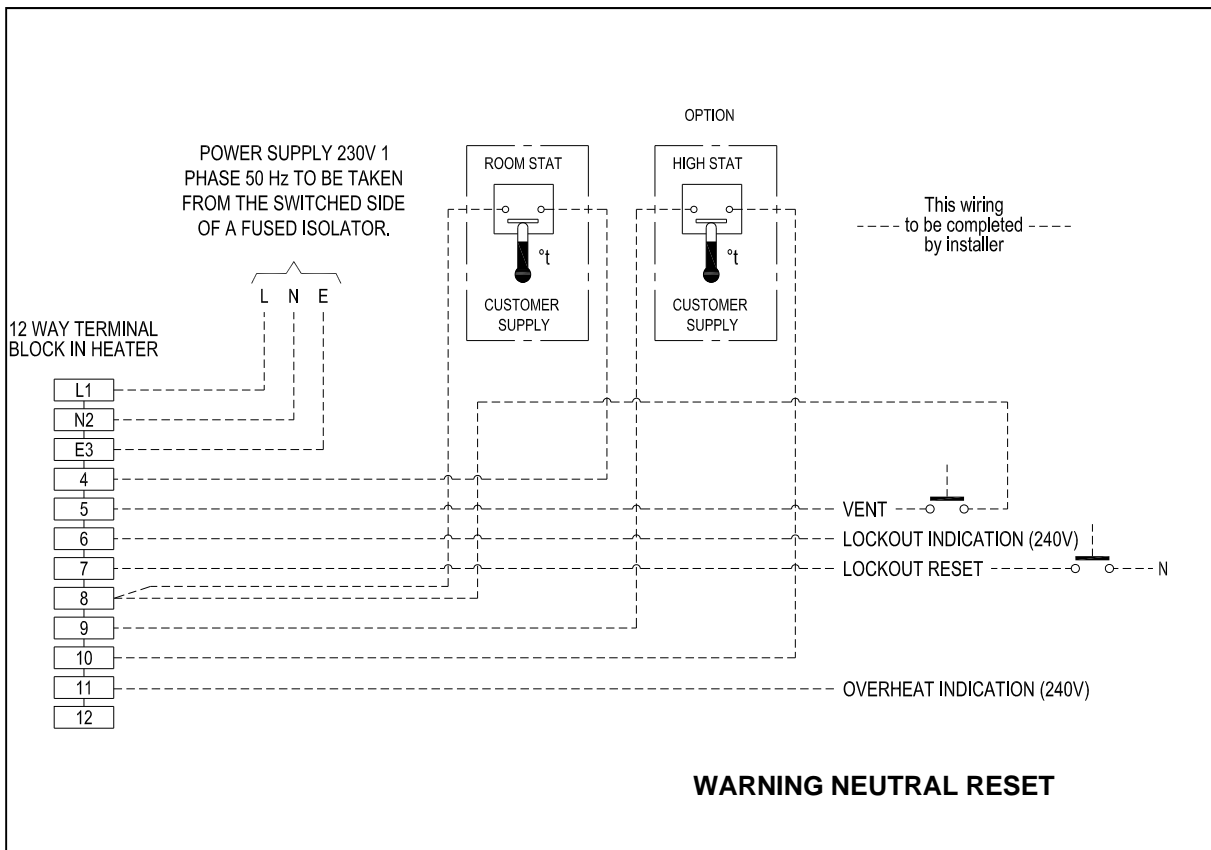
Wiring Diagram 33-67-715 EVRD 72-145 Auto ignition Hi/Low



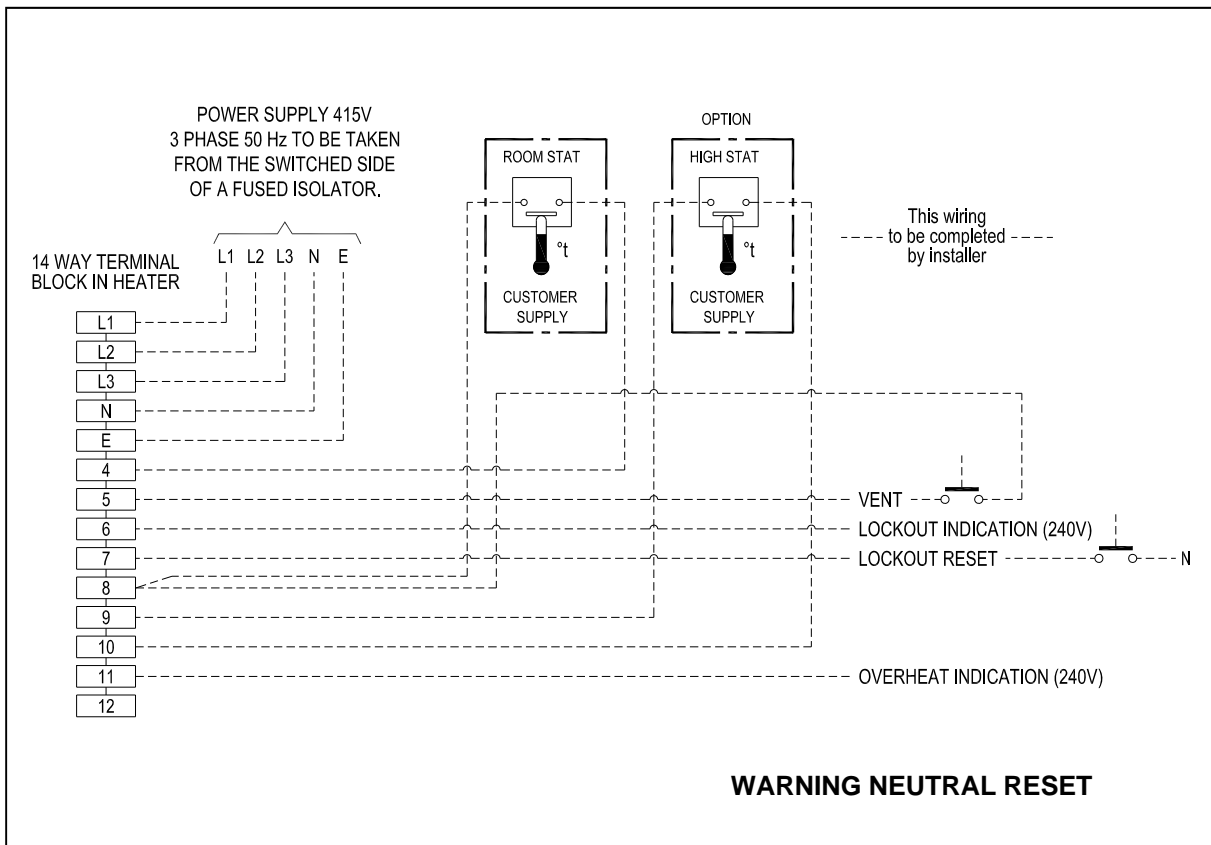
Wiring Diagram 33-67-716 EVRD 72-145 Auto ignition Modulation



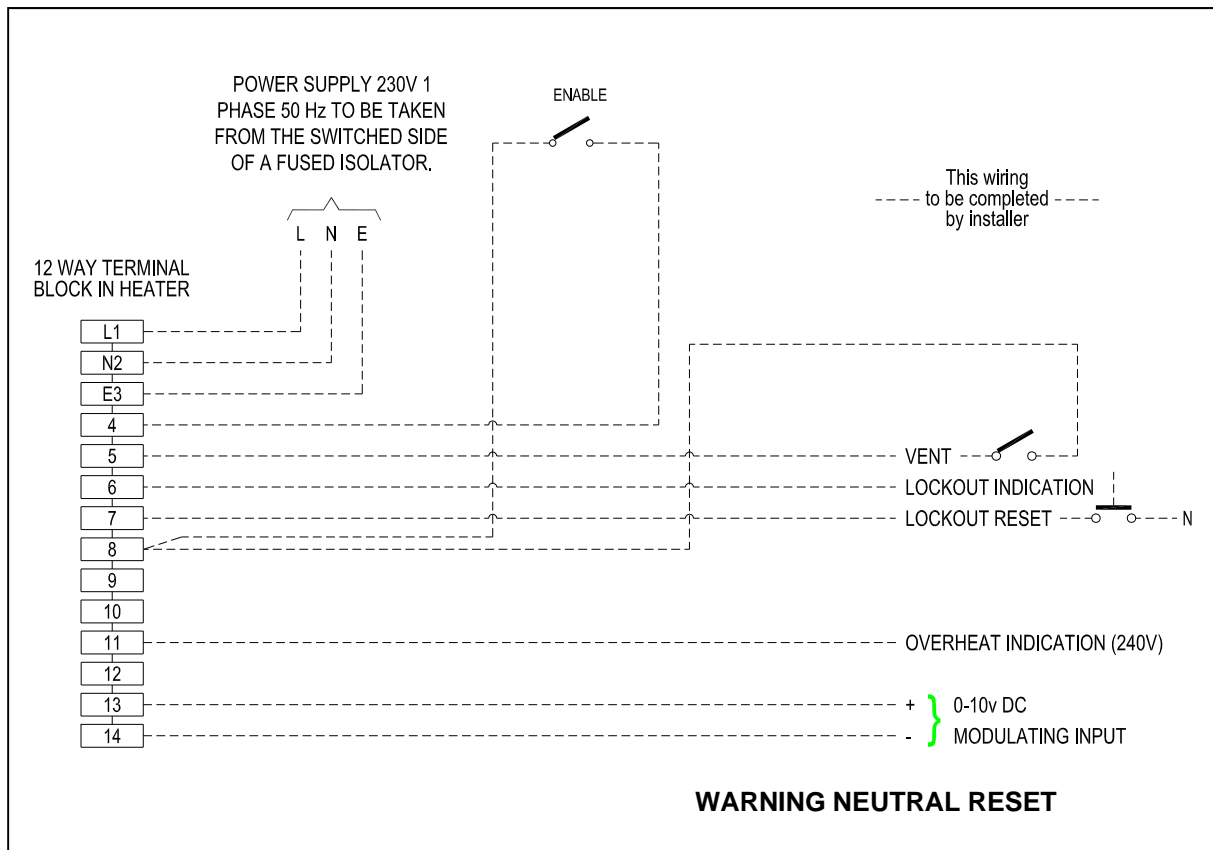
Less Controls Connections On/Off (Hi/Low) 1 Phase 33-67-114



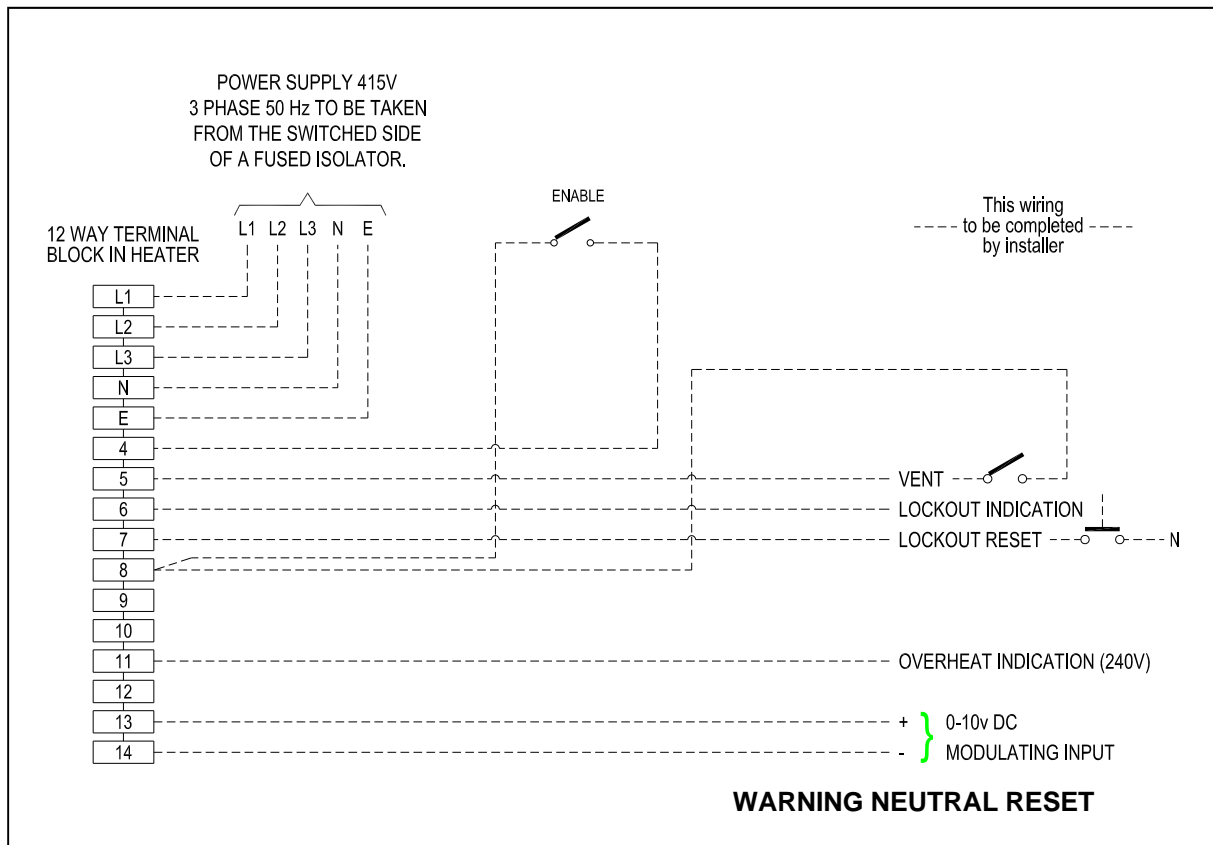
Less Controls Connections On/Off (Hi/Low) 3 Phase 33-67-115



Less Controls Connections Modulation 1 Phase 33-67-221



Less Controls Connections Modulation 3 Phase 33-67-222





Benson Heating Ludlow Road Knighton
Powys LD7 1LP United Kingdom.

Telephone 01547 528534
Facsimile 01547 520399
Email sales@bensonheating.co.uk
Website www.bensonheating.co.uk



Benson Heating Ltd is a registered trademark of AmbiRad Limited. Because of continuous product innovation, Benson Heating reserve the right to change product specification without due notice.