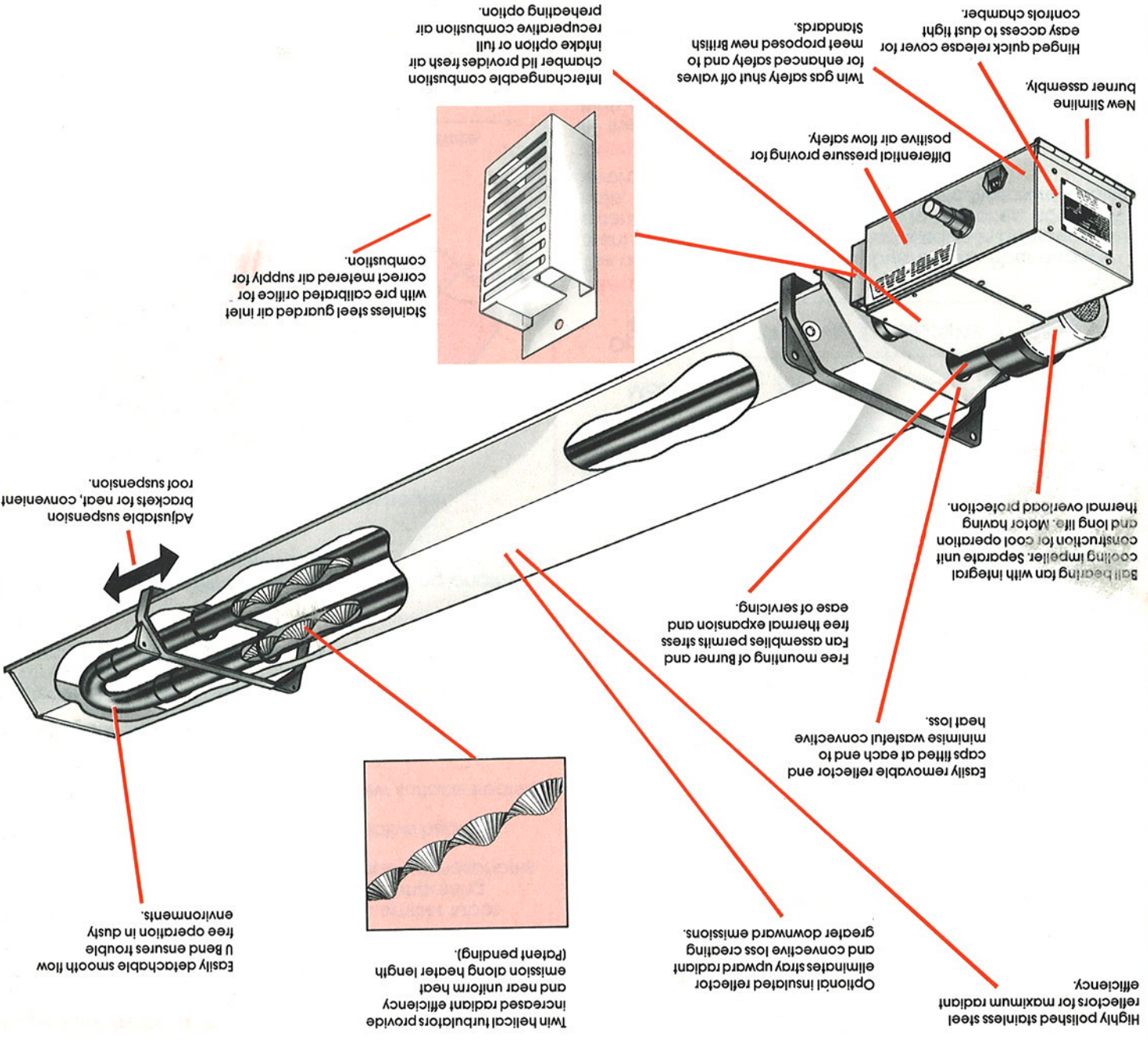


SUPER QUIET. SUPER EFFICIENT.

AMBI-RAD[®] AR'U-TUBE SERIES OF HEATERS

Noise level 53dBA
and 20% greater
floor coverage.



- High quality equipment.
- Competitive prices.
- Customer satisfaction assured.
- After-sales service second-to-none.