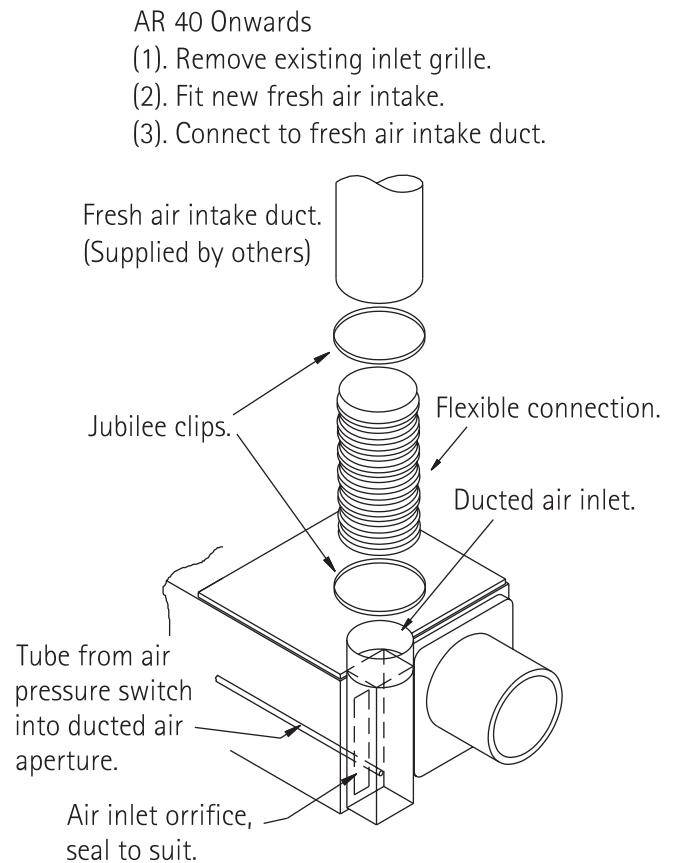
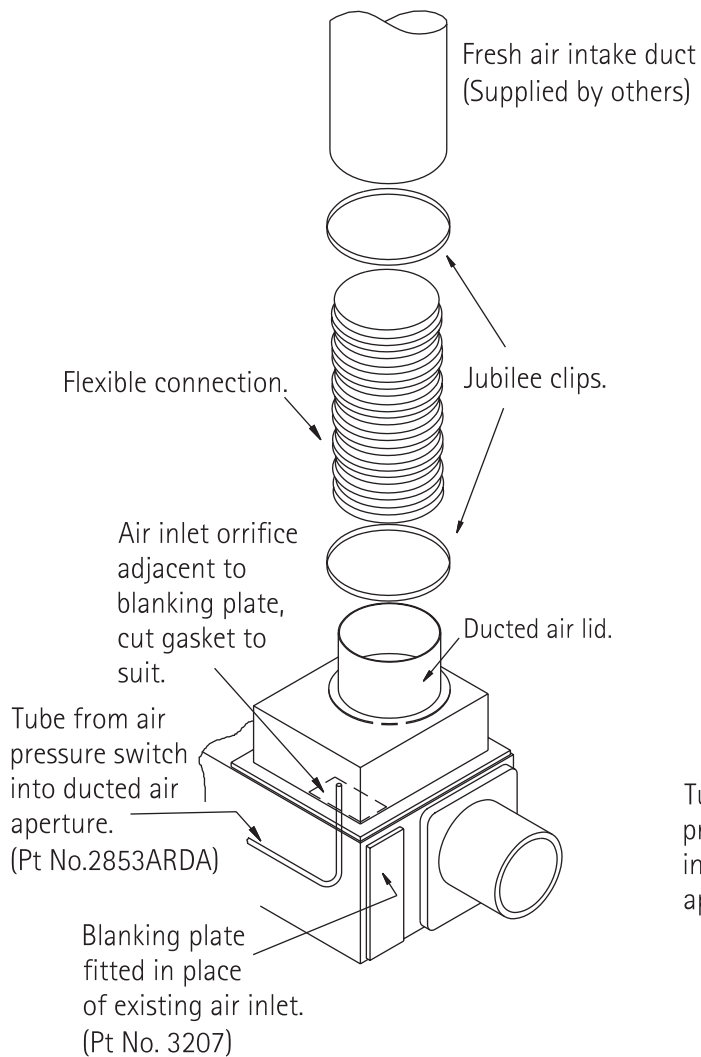


Fitting instructions

1. Remove existing combustion chamber lid.
2. Cut gasket to suit orifice in new fresh air inlet, if necessary.
3. Remove existing air inlet grille.
4. Replace fresh air sensing Bundy tube so that it fits inside the orrifice of the new fresh air inlet lid.
5. Fit blanking plate over original air inlet orrifice.
6. Fit modified gasket over repositioned Bundy tube.
7. Fit new fresh air intake lid.
8. Connect to fresh air intake duct.



Ambi-Rad Limited Fens Pool Avenue
Brierley Hill West Midlands
DY5 1QA United Kingdom
Telephone 01384 489700
Fax 01384 489707
UK sales e-mail:sales@ambirad.co.uk
Website: www.ambirad.co.uk

AMBIRAD is the registered trademark of Ambi-Rad Limited.

Due to continuous product innovation, Ambi-Rad reserves the right to change product specification without due notice.

AMBIRAD
ENERGY EFFICIENT HEATING SYSTEMS