



# AMBI RAD

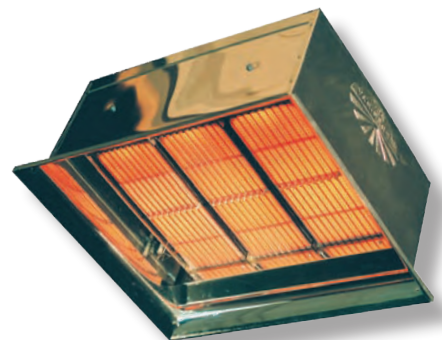
---

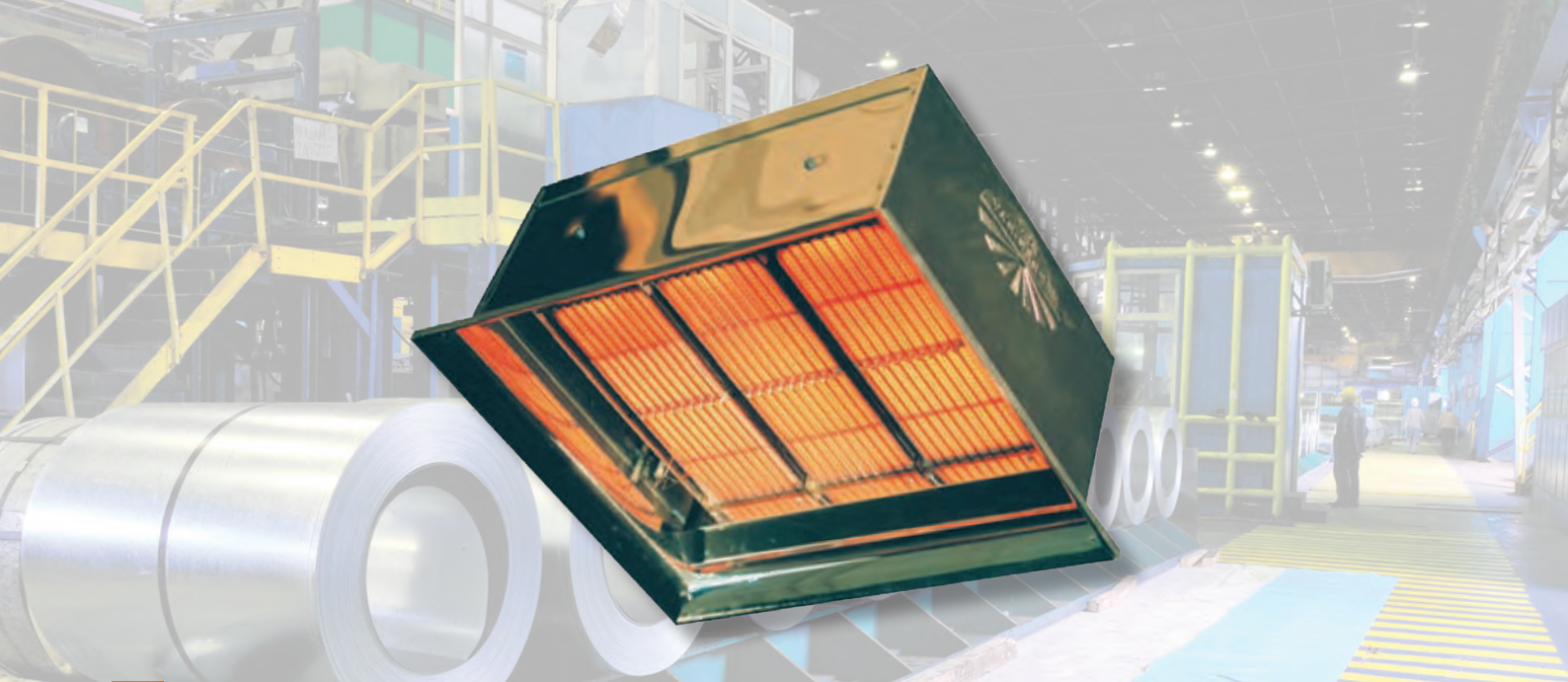
**RV**

Radiant Plaque Heating

---

 **NORTEK**<sup>™</sup>  
GLOBAL HVAC





# RV

## Radiant Plaque Heating

The RV Series represents today's most popular line of gas-fired, infra-red heaters.

This unvented heater is ideal for use in many applications including areas of high air filtration, high ceilings and spot heating.

The RV Series offers exclusive design features, a proven history and a variety of kW and control options.

### Model Range

The RV plaque heaters are available in five sizes, with heat inputs ranging from 8.8kW to 46.9kW.

### Applications

- > Churches
- > Factories
- > Sports Halls
- > Warehouses
- > Workshops

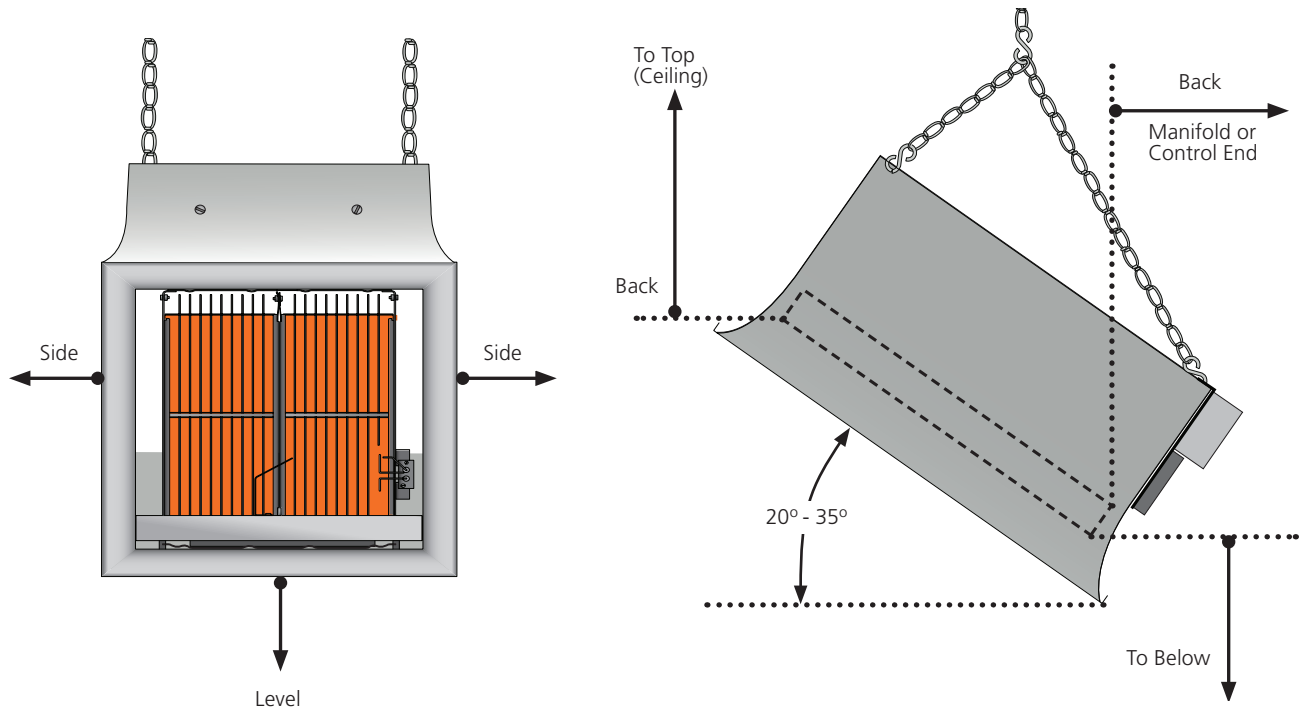
## Features & Benefits

- > Ceramic burner provides maximum infrared radiation
- > Compact design reduces installation costs
- > Stainless steel rods increase heat temperature and efficiency
- > CE Certified
- > Highly polished aluminium reflector design
- > Direct spark ignition



### Technical Data - All Models

Gas Type *	G20 (natural gas), G31 (propane gas)
Gas Connections	Connection 1/2" BSP
Manifold pressure (mbar)	15.2 (G20), 25.4 (G31)
Minimum inlet (mbar)	17.7 (G20), 27.9 (G31)
Maximum outlet (mbar)	35.5 (G20), 35.5 (G31)



### Dimensions

Model	RV30	RV60	RV90	RV130	RV160
kW input	8.8	17.6	26.4	38.0	46.9
No. of burners	1	2	3	4	5
<b>Dimensions</b>					
Width (mm)	314	479	645	810	975
Height (mm)	575				
Depth (mm)	289				
Weight (Kg)	8.2	12.2	16.3	20.4	24.5
<b>Recommended mounting heights **</b>					
Height (m)	3.8	4.5	5.5	7.5	8.5
<b>Clearance to combustibles ***</b>					
Top (m)	0.62	1.03	1.23	1.33	1.54
Back (m)	0.20	0.20	0.20	0.40	0.40
Sides (m)	0.75	0.75	1.20	1.20	1.30
Below (m)	1.85	1.85	2.51	3.08	3.38

\* Specify Natural or Propane at point of purchase

\*\* Mounting heights are recommended as a guidance only. Actual conditions may dictate variations from the above data

\*\*\* Always maintain the published clearances to combustibles

**NORTEK GLOBAL HVAC (UK) LTD**

Fens Pool Avenue  
Brierley Hill  
West Midlands DY5 1QA  
United Kingdom

Tel: **01384 489 700**  
Fax: **01384 489 707**

[ambiradsales@nortek.com](mailto:ambiradsales@nortek.com)  
[www.ambirad.co.uk](http://www.ambirad.co.uk)



AmbiRad UK is a registered trademark of Nortek Global HVAC Ltd. Because of continuous product innovation, Nortek Global HVAC reserves the right to change product specification without due notice.