

# AMBIRAD

ENERGY EFFICIENT HEATING SYSTEMS

## WARM AIR

FAN PERFORMANCE CURVES  
Gas fired air heaters

### Summary

The curves provide the following data:

Motor power in kW <sup>(1)</sup>

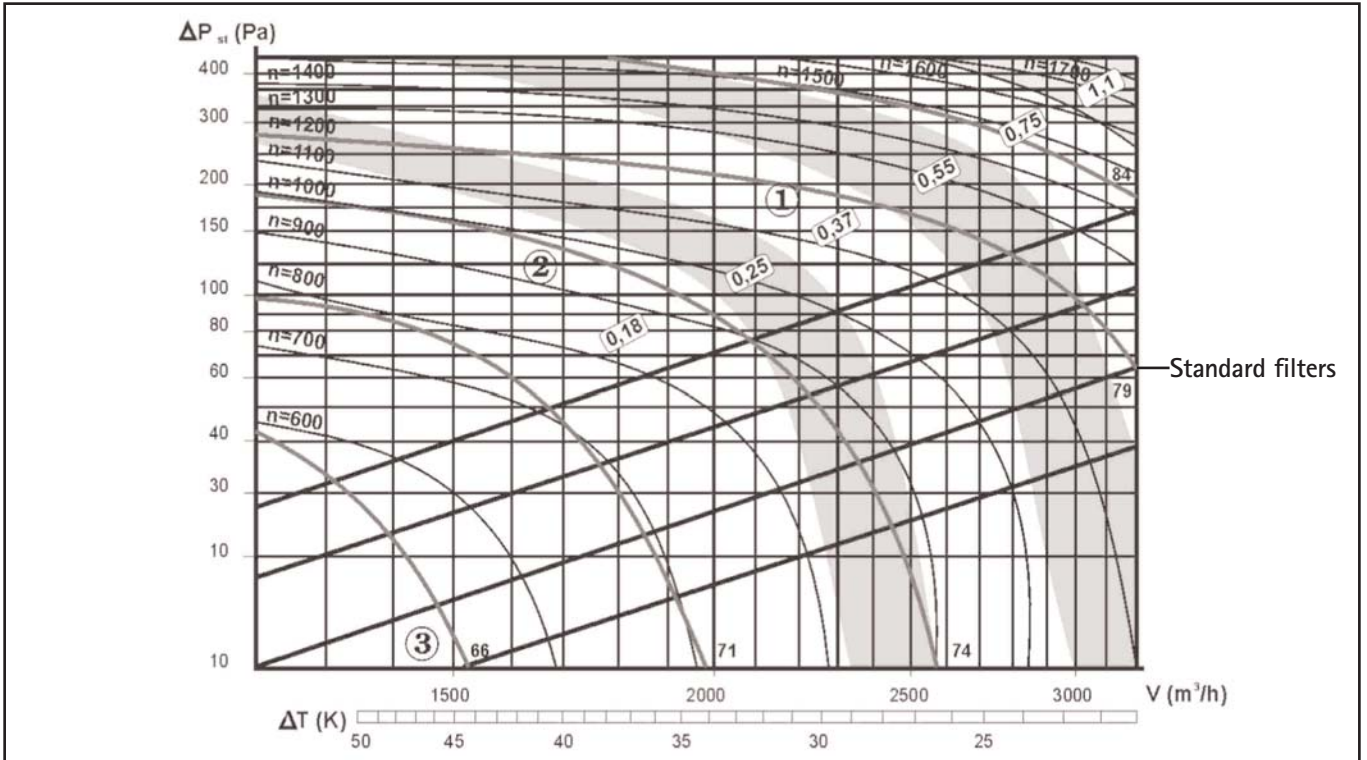
Fan speed in rpm (n) <sup>(2)</sup>

Sound power level <sup>(3)</sup> in dB(A)

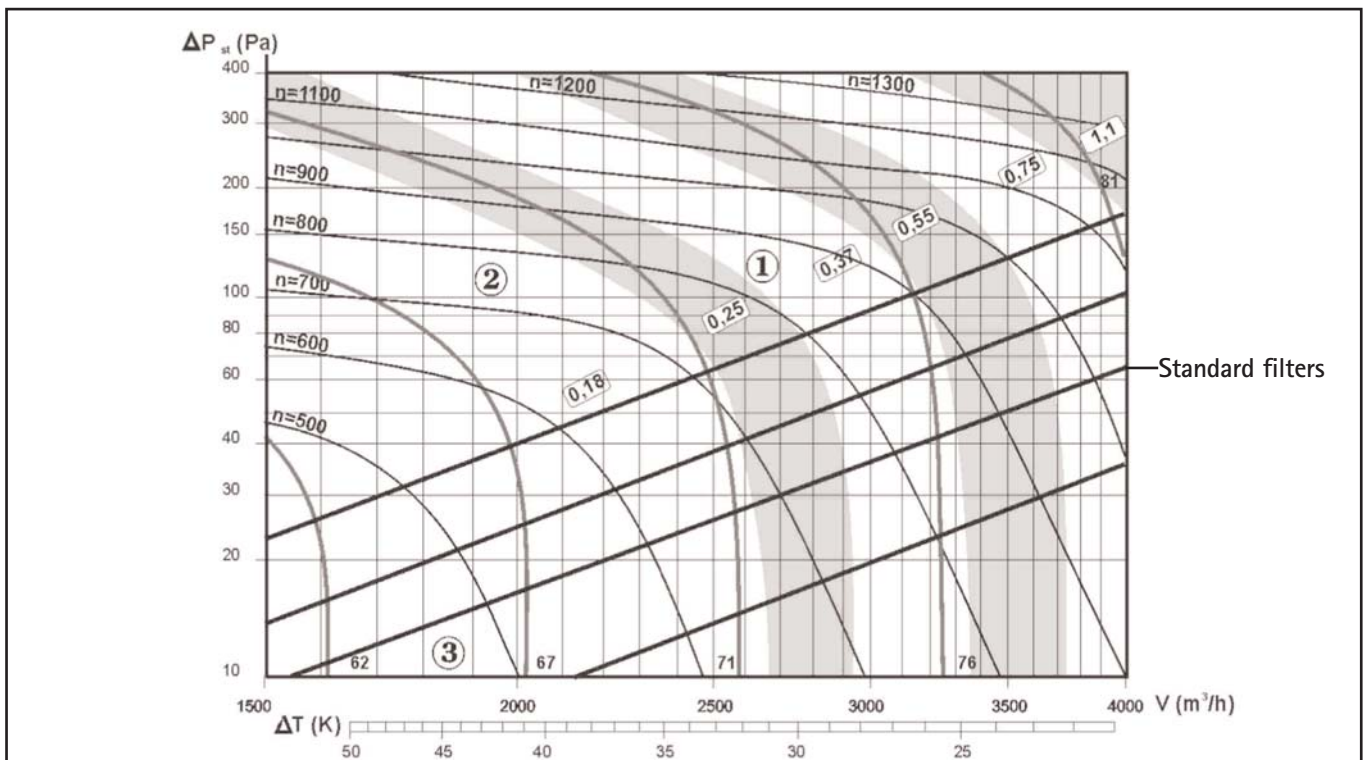
Air temperature rise  $\Delta T$  in K (For temperature rise above 40°K consult Ambi-Rad)

(1) For sound pressure level in free field at 5m (Q=2) deduct 22dB(A) from the sound power level <sup>(3)</sup>

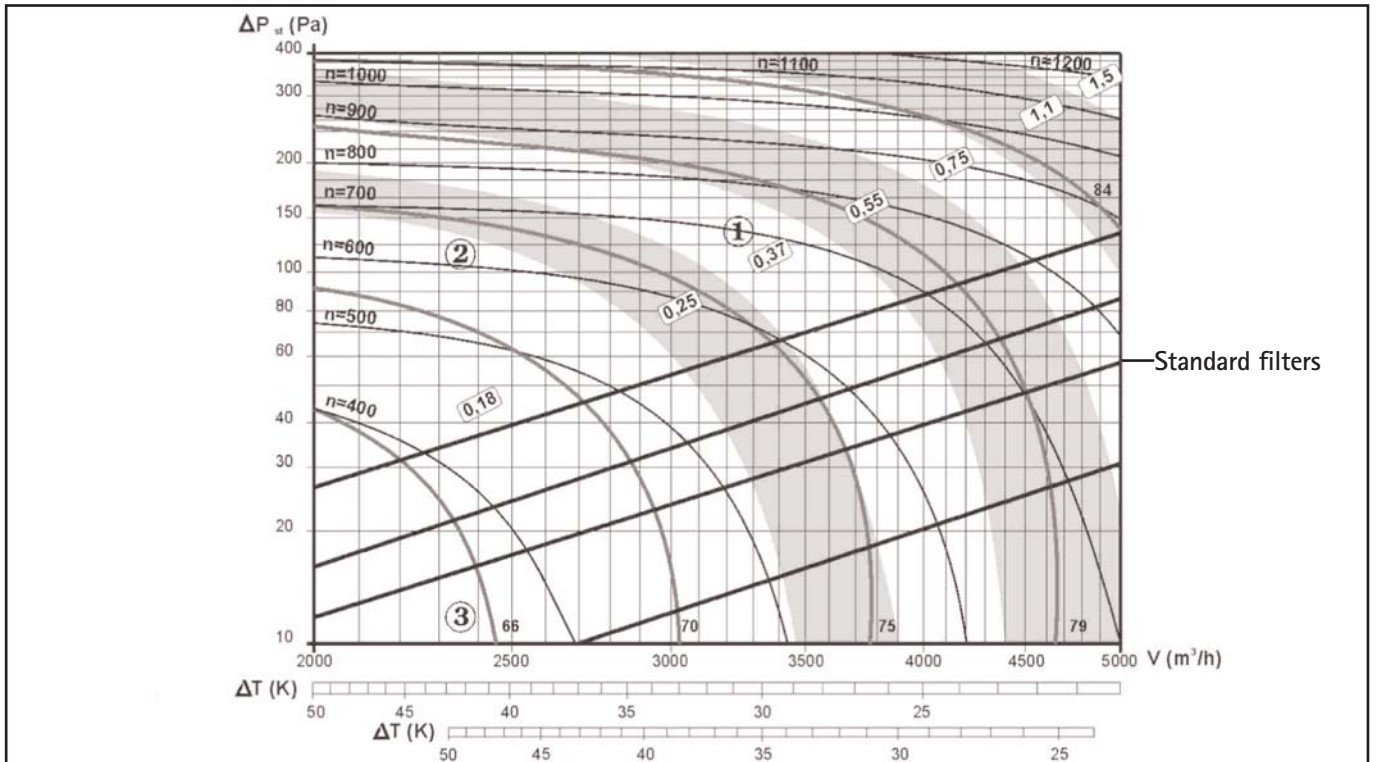
## STB100N & STE100N models



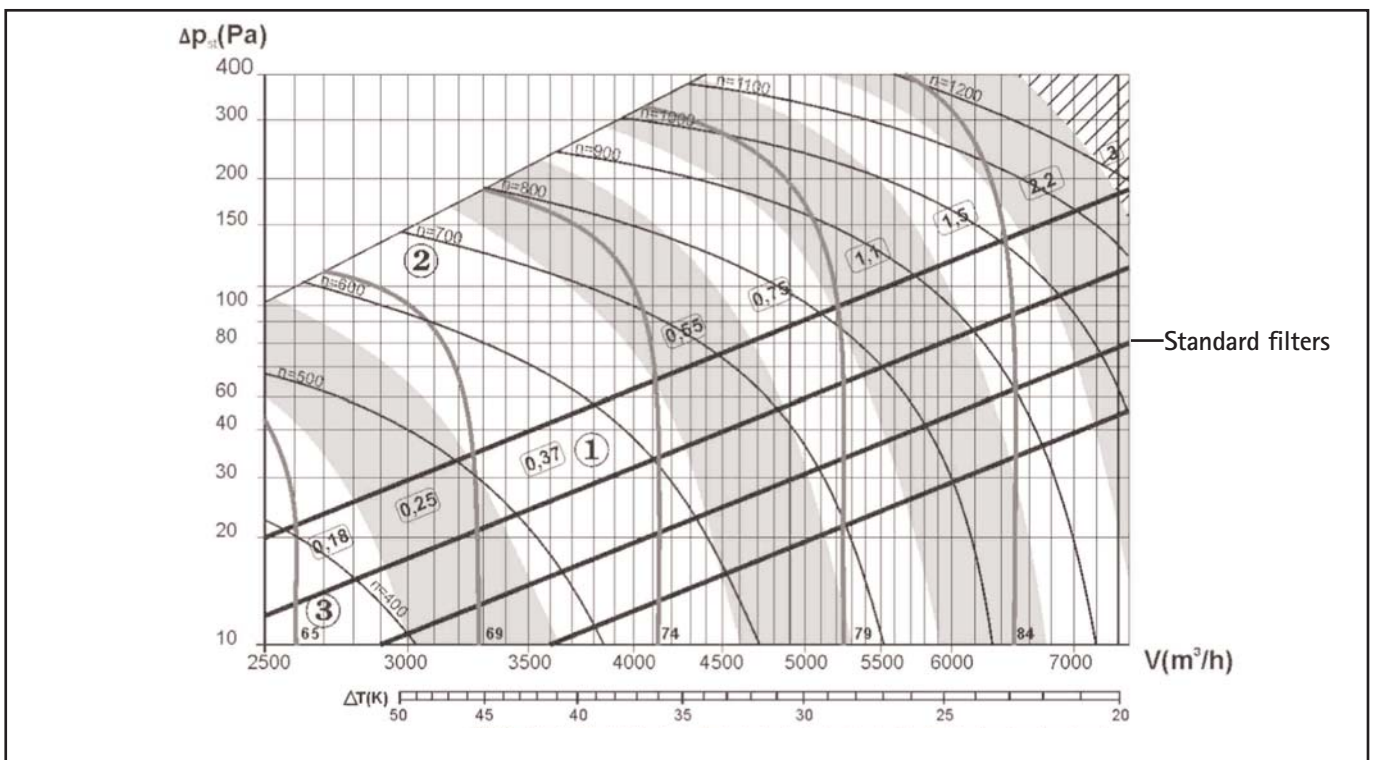
## STB125N & STE125N models



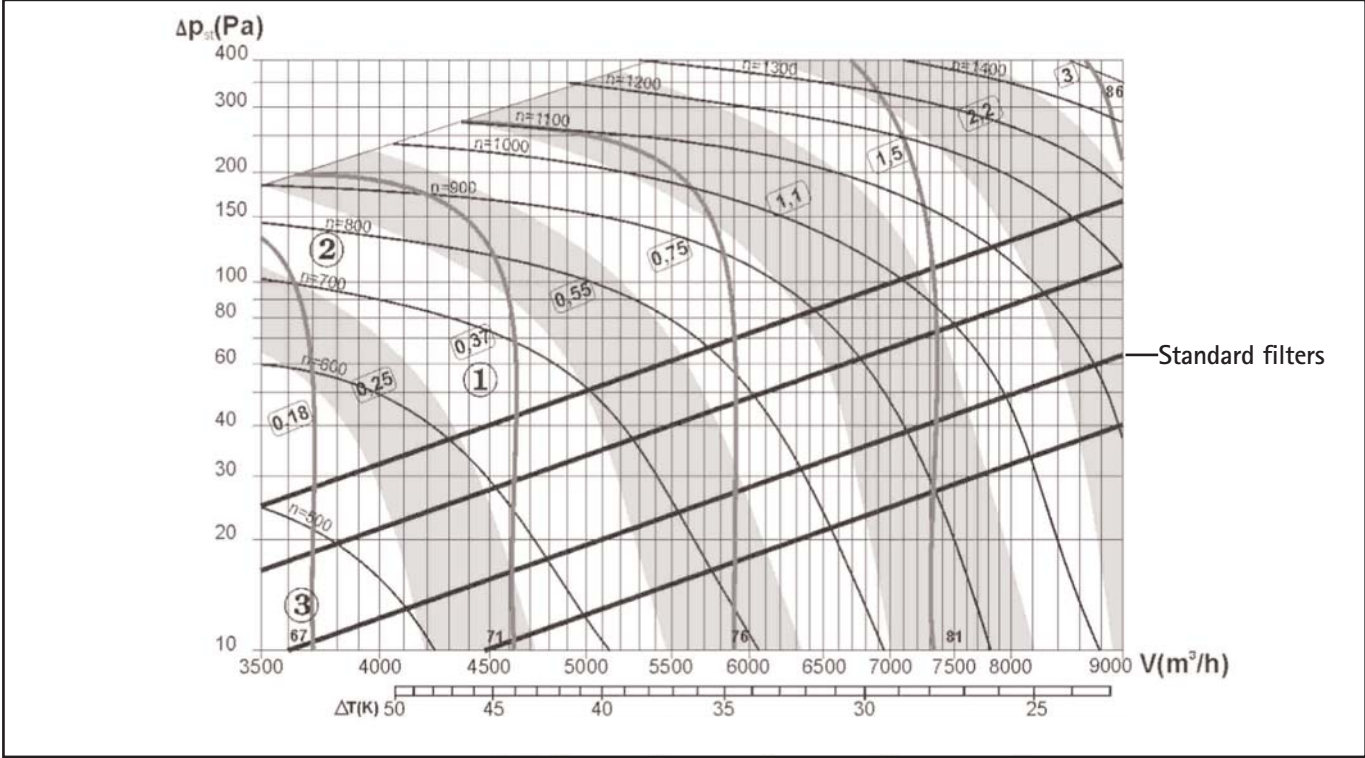
STB150, STB175N and STE150, STE175N models



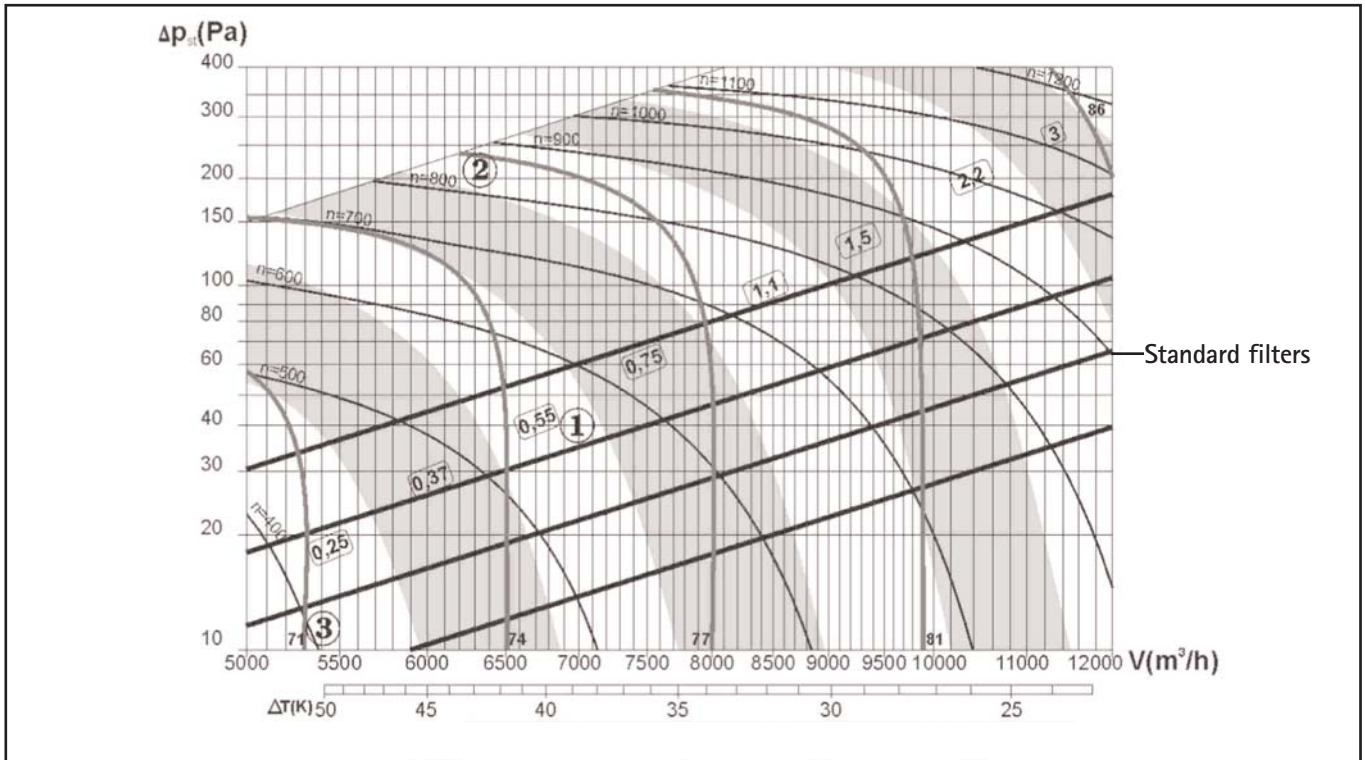
STB225N & STE225N models



## STB300N & STE300N models



## STB400N & STE400N models





Ambi-Rad Limited Fens Pool Avenue  
Brierley Hill West Midlands  
DY5 1QA United Kingdom

Telephone 01384 489700  
Facsimile 01384 489707  
UK sales email [sales@ambirad.co.uk](mailto:sales@ambirad.co.uk)  
Website [www.ambirad.co.uk](http://www.ambirad.co.uk)

**AMBIRAD** is the registered trademark of Ambi-Rad Limited.

Due to continuous product innovation, Ambi-Rad reserves the right to change product specification without due notice.

Document reference number GB/WA/036/1101

**AMBIRAD**  
ENERGY EFFICIENT HEATING SYSTEMS



An Ambi-Rad Group company