

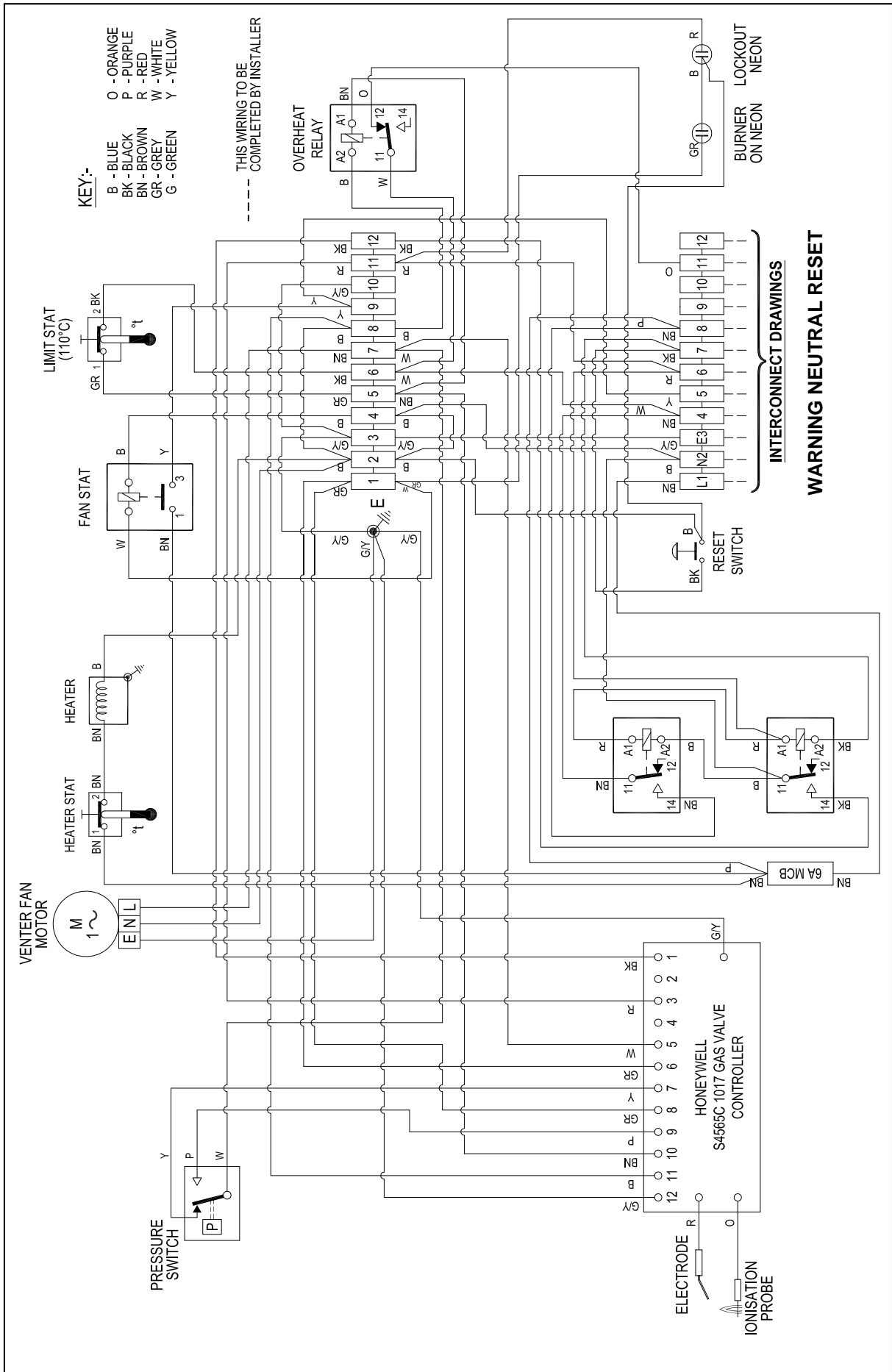
WIRING DIAGRAM MANUAL FOR BENSON EVRD EXTERNAL HEATER



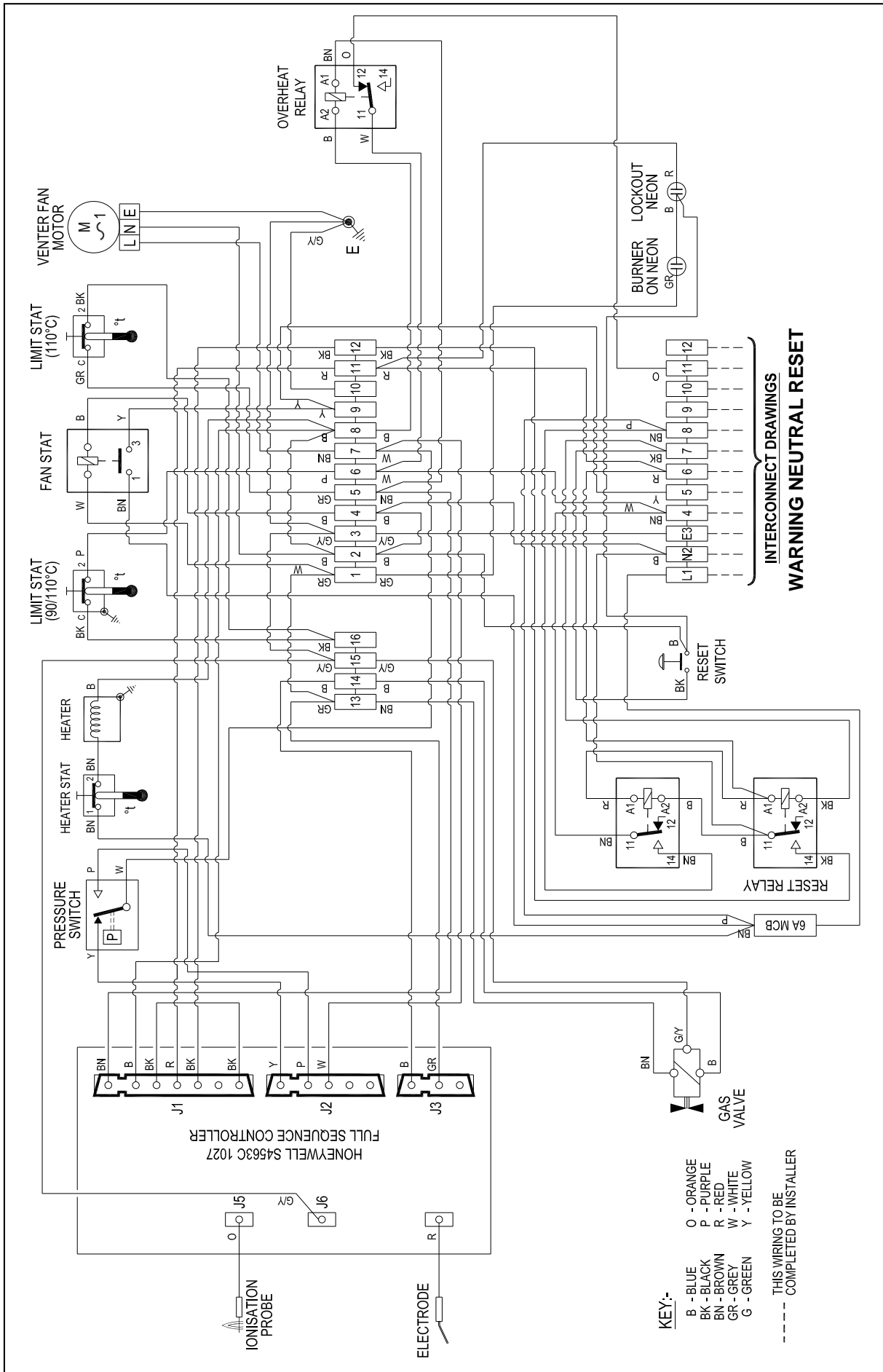
WARNINGS

Installation of Benson Equipment must be carried out in accordance with the current IEE wiring regulations (BS 7671), BS 6896 (Industrial & Commercial) and any other relevant British Standards and Codes of Practice by a qualified installer. All external wiring **MUST** comply with the current IEE wiring regulations.

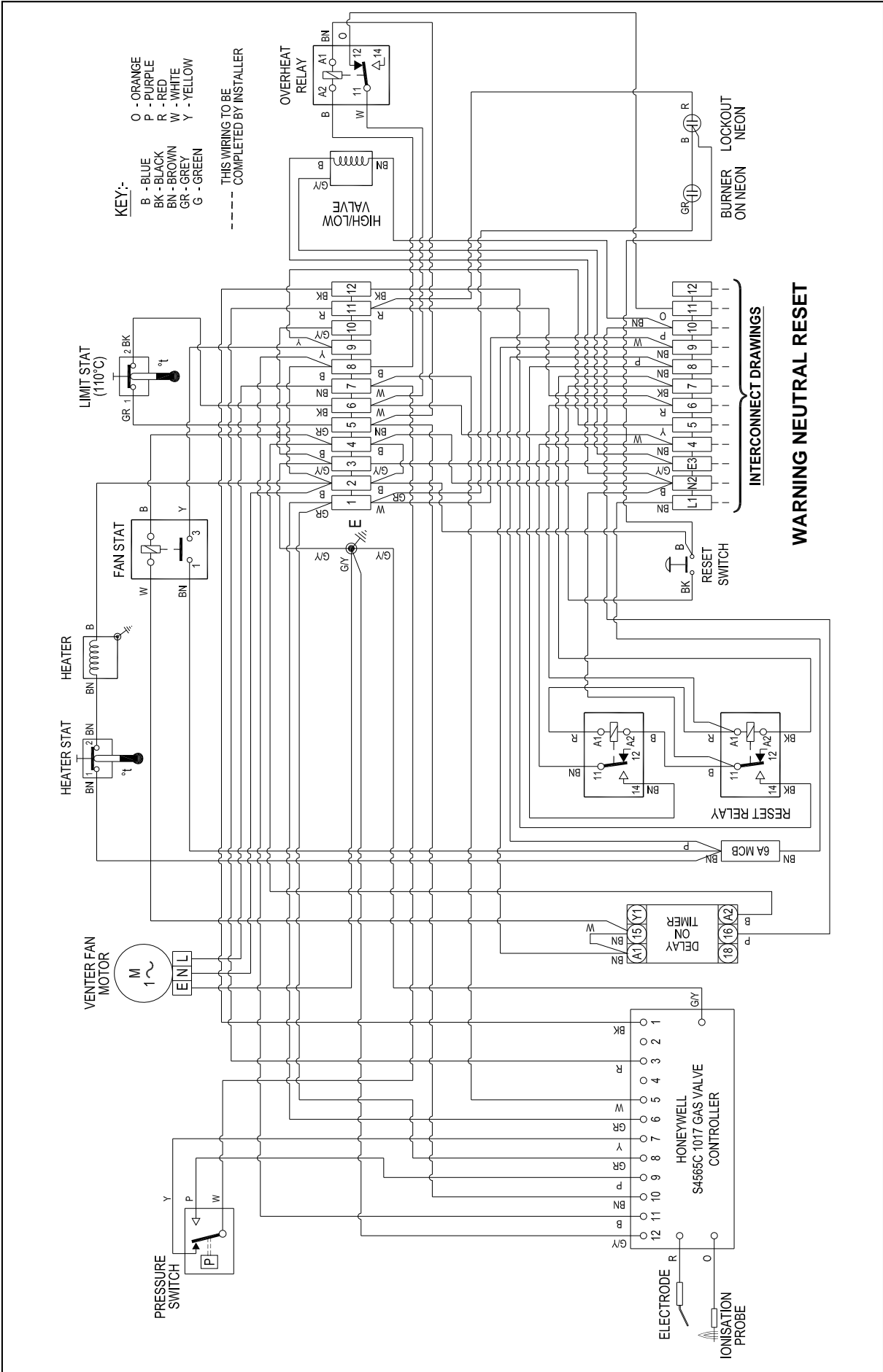
Wiring Diagram 33-68-034 EVRD 12-60 Auto ignition On/Off



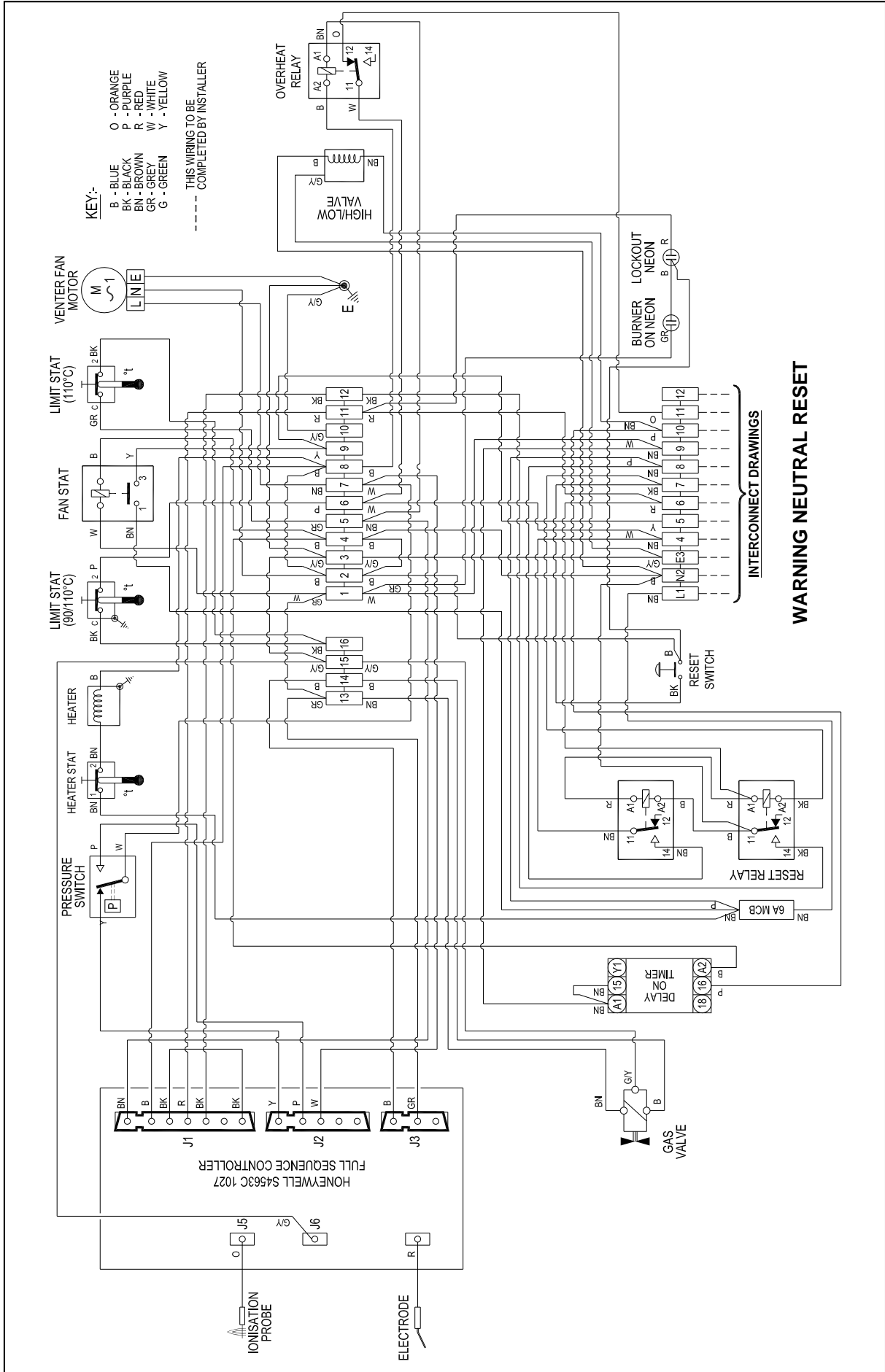
Wiring Diagram 33-68-037 EVRD 72-145 Auto ignition On/Off



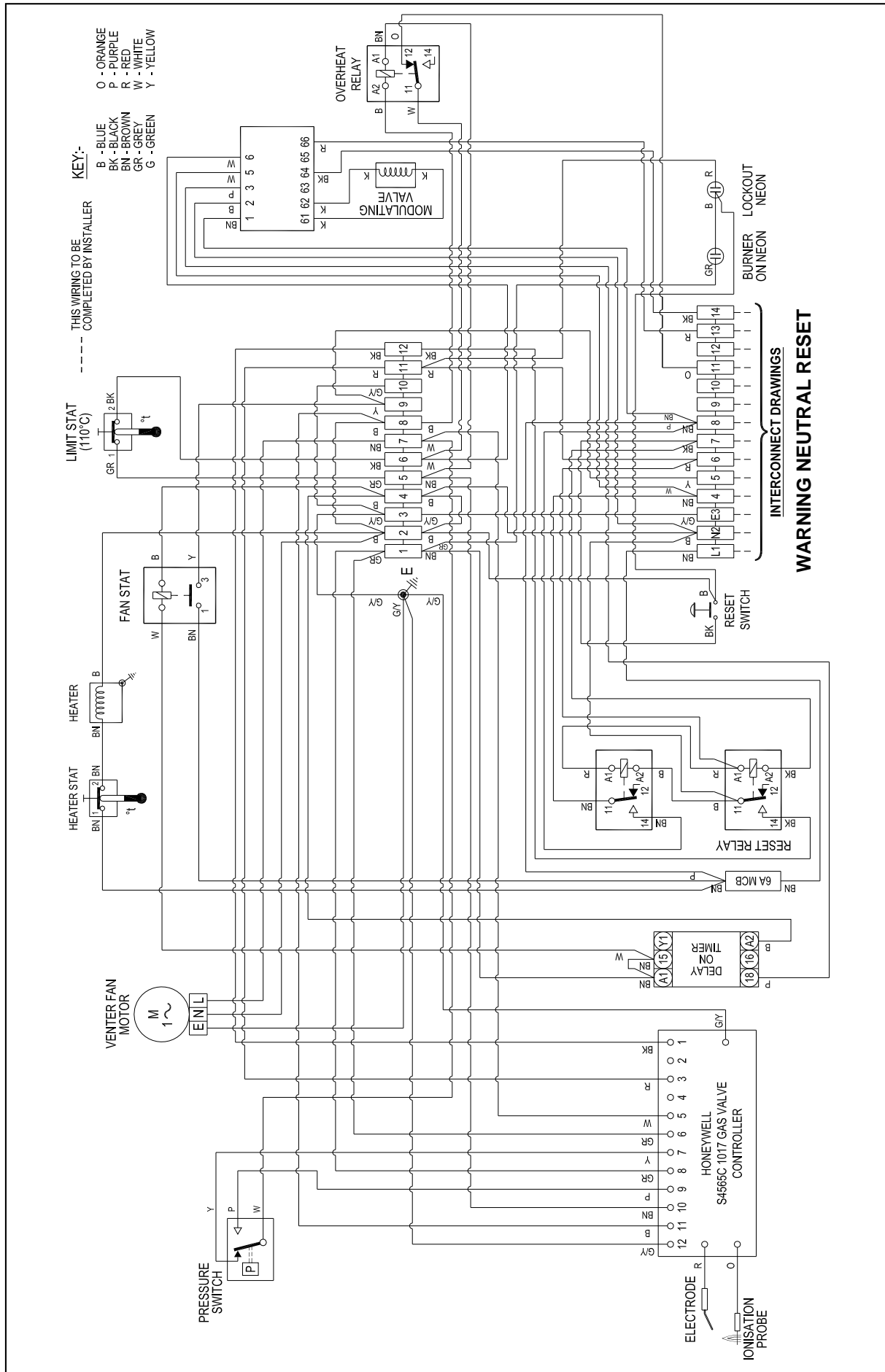
Wiring Diagram 33-68-035 EVRD 12-60 Auto ignition Hi/Low



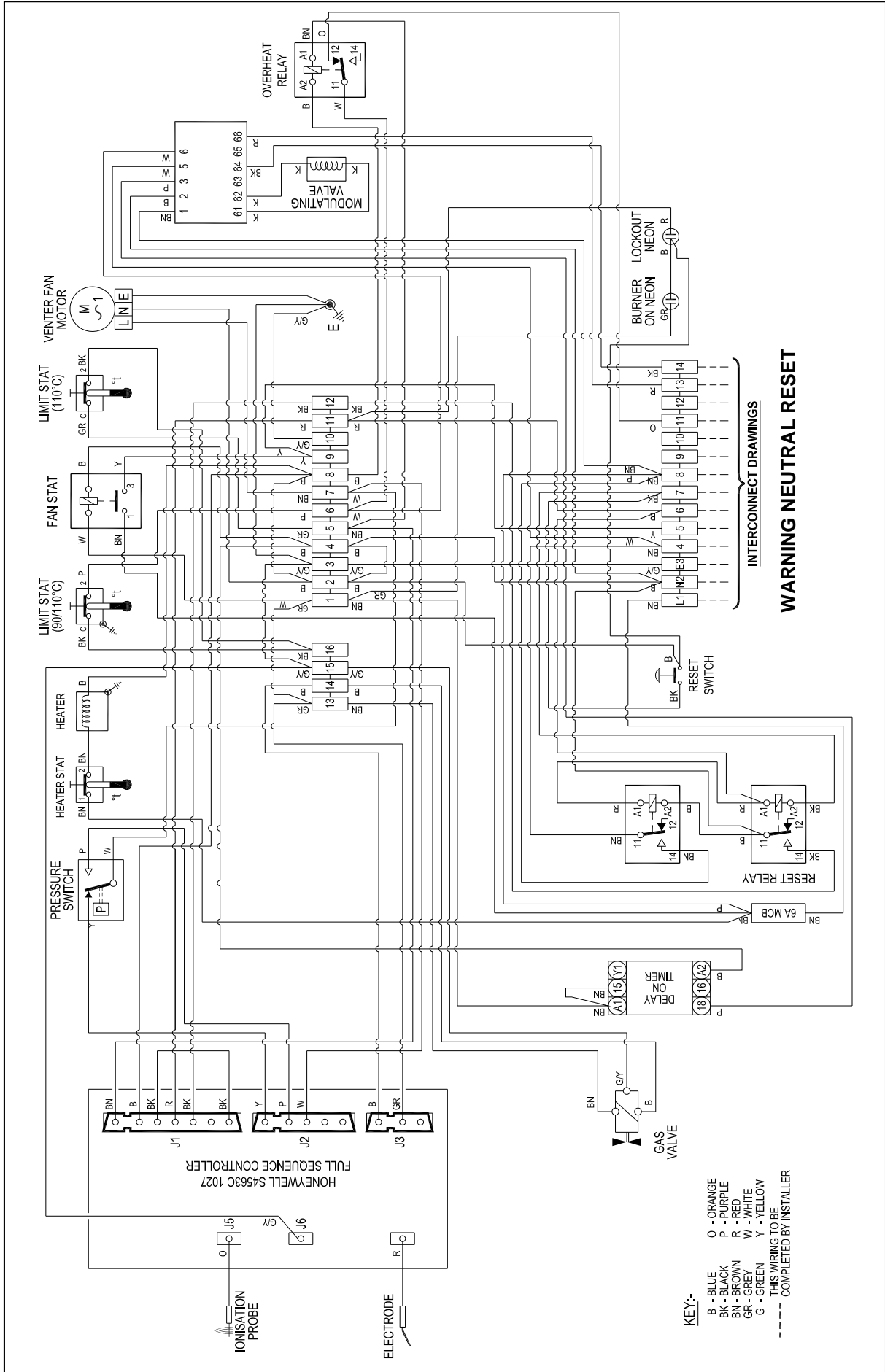
Wiring Diagram 33-68-038 EVRD 72-145 Auto ignition Hi/Low



Wiring Diagram 33-68-036 EVRD 12-60 Auto ignition Modulation



Wiring Diagram 33-68-039 EVRD 72-145 Auto ignition Modulation





NORTEK GLOBAL HVAC (UK) LTD
Fens Pool Avenue
Brierley Hill
West Midlands DY5 1QA
United Kingdom

Tel: 01384 489 250
Fax: 01384 489 707

bensonsales@nortek.com
www.bensonheating.co.uk

Registered in England No. 1390934. Registered office: 10 Norwich Street, London, EC4A 1BD

Nortek Global HVAC is a registered trademark of Nortek Global HVAC Limited. Because of continuous product innovation, Nortek Global HVAC reserves the right to change product specification without due notice.