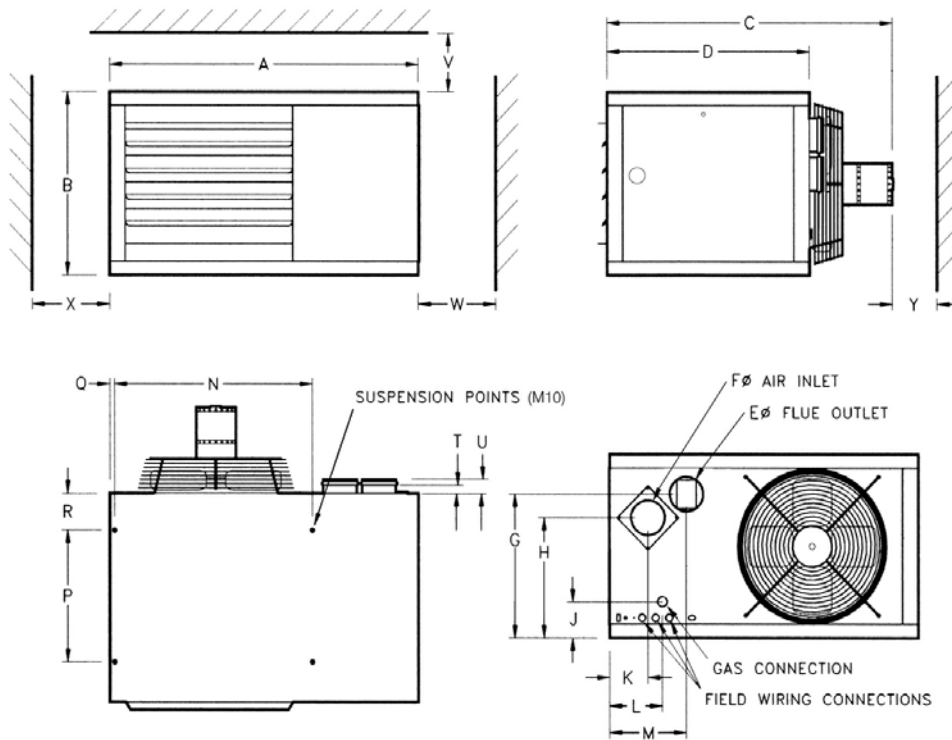


SCA Compact Gas Fired Warm Air Heaters

Dimension Data - Corrigendum



Model	45	75	100	125	150	200	250	300
A Width	753	753	967	967	967	967	1300	1300
B Height	311	450	567	567	845	845	845	845
C Overall length	751	871	940	940	895	895	898	898
D Cabinet length	596	596	654	654	652	652	652	652
E Flue outlet diameter	80	100	100	100	130	130	130	130
F Air inlet diameter	80	100	100	100	130	130	130	130
G Base to flue outlet	170	339	442	442	720	720	720	720
H Base to air inlet	230	225	343	343	508	508	508	508
J Base to gas inlet	103	109	116	116	185	185	182	182
K Side to air inlet	85	91	128	128	139	139	140	140
L Side to gas inlet	99	99	163	163	150	150	153	153
M Side to flue outlet	182	172	227	227	216	216	206	206
N Suspension centres	450	450	610	610	610	610	745	745
P Suspension centres	406	406	406	406	406	406	406	406
Q Side to suspension point	20	20	20	20	20	20	218	218
R Back to suspension point	25	25	123	123	120	120	120	120
T Flue outlet spigot	78	50	50	50	50	50	50	50
U Air inlet spigot	78	50	50	50	50	50	50	50
V Top clearance	50	50	150	150	150	150	150	150
W Access side clearance	500	500	500	500	500	500	500	500
X Side clearance	50	50	150	150	150	150	150	150
Y Rear clearance	250	250	250	250	250	250	200	200

Bottom clearance - all units require 50mm clearance to combustibles
All dimensions are in millimetres



Ambi-Rad Limited Fens Pool Avenue
Brierley Hill West Midlands
DY5 1QA United Kingdom
Telephone 01384 489700
Fax 01384 489707
UK sales e-mail:sales@ambirad.co.uk
Website: www.ambirad.co.uk

AMBIRAD and EnviroAir are the registered trademarks of Ambi-Rad Limited.

Due to continuous product innovation, Ambi-Rad reserves the right to change product specification without due notice.

AMBIRAD
ENERGY EFFICIENT HEATING SYSTEMS

Document reference number : GB/WA/031R/1000