



BENSON

Breeze

Portable Cold Air Blower

 **NORTEK**™
GLOBAL HVAC



Breeze

Portable Cold Air Blower

The Portable Cold Air Blower provides a versatile, portable form of ventilation for a wide range of applications including:

- > Confined space ventilation
- > Use on building and construction site
- > Drainage areas
- > Tank and silo venting
- > Industrial applications
- > Short term 'spot ventilation'

Specification

Robustly engineered from steel panel construction with an epoxy powder coat finish outer skin to form a rigid and durable casework. Each air blower is fully weatherproof to IP44 standard and is fitted with a built-in carry handle. The unit is supported by four integral rubberised feet, to aid non-slip.

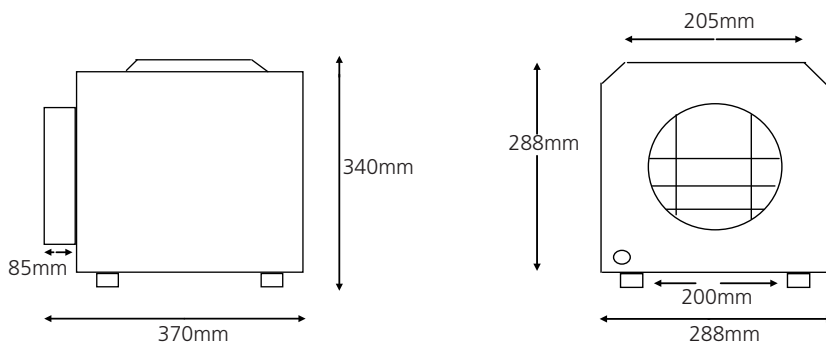
The unit houses a continuous running axial fan, which can be configured to operate on 115v ac or 230v ac single phase. A 1.5 metre power cable and plug is fitted to the unit. A 200mm diameter flexible duct 7 metres long can be provided with the unit if required.



Technical Data

Nominal voltage	ac	1-115 or 1-230
Frequency	hz	50 / 60
Nominal airflow	m ³ /h	1970
Nominal airflow with ducting	m ³ /h	1100
Fan static pressure	Pa	100
Speed	rpm	2700
Outlet spigot diameter	mm	200
Flexible ducting (max length)	m	7
Approx net weight	kg	9
Approx net weight including ducting	kg	15
Permitted ambient temp	°C	-25 to +60

GB/BEN/BREE/01/0/0416



NORTEK GLOBAL HVAC (UK) LTD

Fens Pool Avenue
Brierley Hill
West Midlands DY5 1QA
United Kingdom

Tel: 01384 489 700
Fax: 01384 489 707

NORTEKTM
GLOBAL HVAC

bensonsales@nortek.com
www.bensonheating.co.uk