

# ML

## Type ML1500

The ML series of gas fired air heaters comprises two sizes rated at 11 and 15-20kW nominal output, the latter being a dual rated appliance. Normal operational efficiency is 82% based upon gross calorific value of the fuel.

They are sealed combustion, fanned flue, axial fanned appliances, designed for indoor installation to free blow into the space to be heated. Optional low NO<sub>x</sub> emission feature is available for those who wish to respect the environment.

The ML has been specifically designed for use in small areas especially where height restrictions exist. They are suitable for use in garages, garage workshops, showrooms, etc.

Their quiet operation, low mass and small flue size, make the ML air heater suitable for applications where other appliances cannot be applied.

**Reznor<sup>®</sup>** *THE NAME FOR WARM AIR*



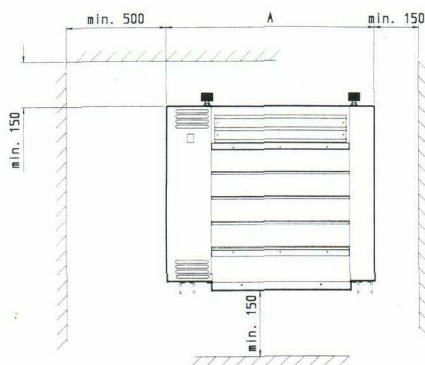
## Standard version

- Natural gas
- Automatic hot surface ignition
- Aluminized steel primary heat exchanger
- Back flue outlet and combustion air sockets  
Ø 80mm, with seals
- adjustable horizontal louvres

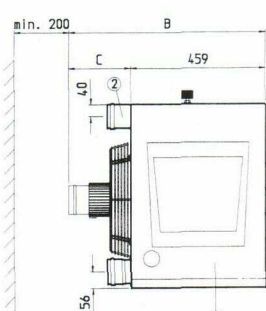
## Options and Accessories

- Liquid petroleum gases (LPG)
- Stainless steel heat exchanger (AISI 409)
- Low NO<sub>x</sub> version (< 90 ppm)
- Adjustable vertical louvres
- Wall brackets
- Concentric roof or wall terminal

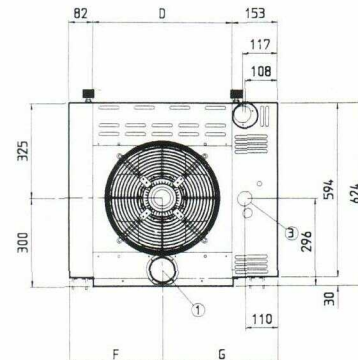
## DIMENSIONS



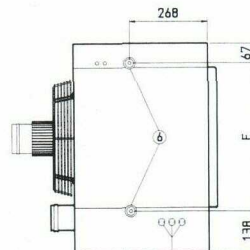
Front view



Side view



Rear view



Top view

Type	A	B	C	D	E	F	G
ML1511	565	639	180	330	360	247	318
ML1515	705	670	211	470	500	317	388
ML1520	705	670	211	470	500	317	388

### Legend

1. Combustion air entry socket Ø 80mm
2. Flue connection Ø 80mm
3. Gas connection 1/2"
4. Electric connections
5. Service panel
6. Suspension sockets

## TECHNICAL DATA

Type		ML1511	ML1515	ML1520
Gas Cat,		I12H3+		
Heat input GCV (Hs)	kW	12,62	19,10	23,54
Heat input NCV (Hi)	kW	11,36	17,20	21,20
Heat output normal rate	kW	10,30	14,80	18,24
Gas consumption	Nat. Gas G 20 <sup>1</sup>	m <sup>3</sup> /h	1,20	1,82
	Propane G 31	kg/h	0,90	1,36
	Butane G 30	kg/h	0,92	1,39
Gas connection <sup>2</sup>	Rc	1/2		
Temperature rise Δ T (±1)	K	28	29	32
Air volume (15°C)	m <sup>3</sup> /h	1080	1500	1720
Throw <sup>3</sup>	m	11	15	17
Sound pressure level Lp <sup>4</sup>	dB(A)	42	47	49
Electrical service (protection class IP20)		230V 1 N - 50Hz		
Fan motor rating <sup>5</sup>	W	20	95	100
Total electrical rating <sup>5</sup>	kW	0,10	0,15	
Mounting height <sup>6</sup>	m	2,50 - 3,50		
Gross weight	kg	50	63	
Net weight	kg	42	54	

- 1 Natural gas G20, calorific value 10,48 kWh/m<sup>3</sup>GCV, 15°C, 1013 mbar  
Propane G31, calorific value 14,0 kWh/kg GCV  
Butane G30, calorific value 13,7 kWh/kg GCV
- 2 Not supply line size
- 3 Isothermic condition, throw decay to 0,5 m/s, discharge louvres zero deflection
- 4 Typical installation: Q = 2, A = 160 m<sup>2</sup>, distance 5 m, discharge louvres zero deflection
- 5 During start-up period (±30 sec.) increased by 900 W; not included in these ratings
- 6 To underside of air heater

# Reznor®

